



CSC LED

ARCHITECTURAL LINEAR STRIP LIGHTS

Customizable

0-10V Dimmable

Colour Selectable

Make a statement with CSC LED's Architectural Linear Strip Lights. These sleek, modern fixtures are powerful proven performers that allow for countless customizable configurations and lighting designs to suit the unique needs of your project.

SPECIFICATIONS



Colour Selectable

3000K/3500K/4000K

Flexible Mounting Options

T-Bar, Recessed, Suspension, and
Wall Mount kits sold separately

4 Backlit
Connector
Options Available
to help you create your
own seamless and
unique design

Polycarbonate
Frosted Lens

Optional deep cell
louver available

Damp Location
Rated

Power Cord Included

2 ft fixtures: 31.5" power cord
4 ft fixtures: 55" power cord
8 ft fixtures: 100" power cord

0-10V Dimmable

Direct / Indirect: 30% uplight, 70% downlight Direct: 100% downlight



Order Code	Finish Colour	Length	Wattage	CCT	Voltage	Lumens	Efficacy	Light Dispersion
AL2-DI-20W-3CCT-UD	White	2 FT	20W	3000K / 3500K / 4000K	120-347V	2,300 lm	105 lm/W	Direct / Indirect
AL2-DI-20W-3CCT-UD-BK	Black							
AL2-D-20W-3CCT-UD	White	2 FT	20W	3000K / 3500K / 4000K	120-347V	2,300 lm	105 lm/W	Direct
AL2-D-20W-3CCT-UD-BK	Black							
AL4-DI-40W-3CCT-UD	White	4 FT	40W	3000K / 3500K / 4000K	120-347V	4,608 lm	111 lm/W	Direct / Indirect
AL4-DI-40W-3CCT-UD-BK	Black							
AL4-D-40W-3CCT-UD	White	4 FT	40W	3000K / 3500K / 4000K	120-347V	4,608 lm	111 lm/W	Direct
AL4-D-40W-3CCT-UD-BK	Black							
AL8-DI-80W-3CCT-UD	White	8 FT	80W	3000K / 3500K / 4000K	120-347V	9,263 lm	112 lm/W	Direct / Indirect
AL8-DI-80W-3CCT-UD-BK	Black							
AL8-D-80W-3CCT-UD	White	8 FT	80W	3000K / 3500K / 4000K	120-347V	9,263 lm	112 lm/W	Direct
AL8-D-80W-3CCT-UD-BK	Black							

ACCESSORIES & MOUNTING KITS

Mounting options to meet your project's every need

Create your own custom look with a variety of accessories and mounting options.

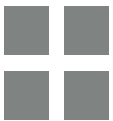


Ask your CSC LED rep for details or to assist you with a lighting layout to meet your needs!

BACKLIT CONNECTORS

Customize your space with our Backlit Connectors

CSC LED Architectural Linear Strip Lights pair seamlessly with our individually powered Backlit Connectors. Backlit Connectors are offered in 4 configurations and each connector features a polycarbonate lens and white aluminum housing.



X Connector | 10W

AL-X-CON | AL-X-CON-BK
Required: 4 x Connector Kit*



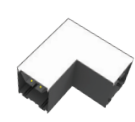
T Connector | 7W

AL-T-CON | AL-T-CON-BK
Required: 3 x Connector Kit*



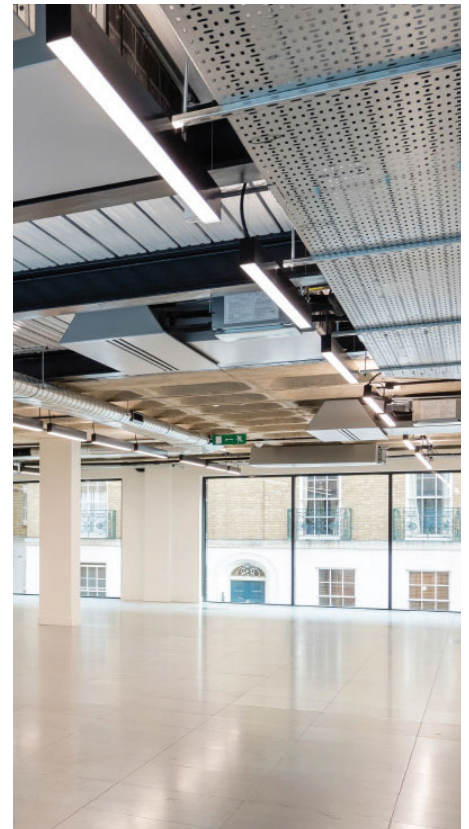
90° Connector | 5W

AL-L-CON | AL-L-CON-BK
Required: 2 x Connector Kit*



120° Connector | 5W

AL-120-CON | AL-120-CON-BK
Required: 2 x Connector Kit*

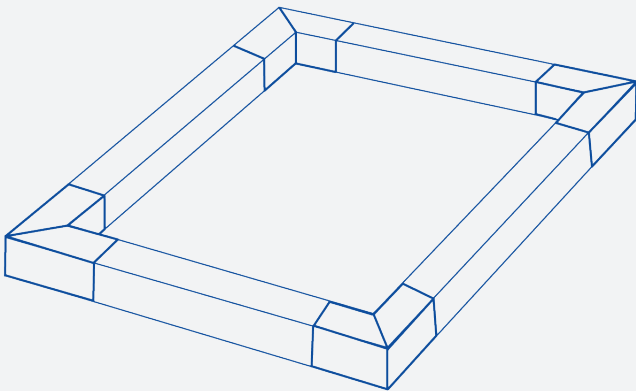




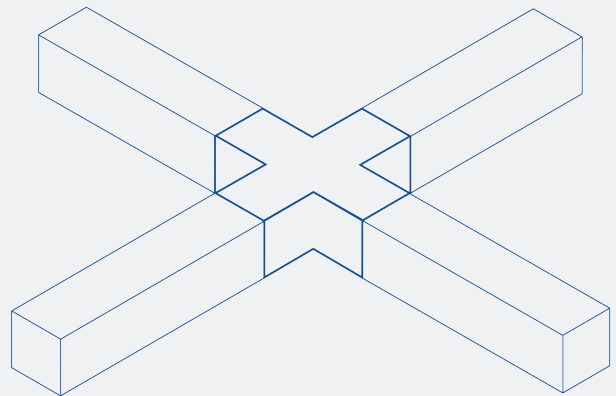
Accessories	Finish Colour	Description
AL-WM-KIT	White	Wall Mount Kit for Architectural Linear Strip Lights
AL-WM-KIT-BK	Black	
AL-S-KIT	White	Suspension Kit for Architectural Linear Strip Lights
AL-S-KIT-BK	Black	
AL2-R-KIT	White	Recessed Kit for 2 ft Architectural Linear Strip Lights
AL2-R-KIT-BK	Black	
AL-R-KIT	White	Recessed Kit for 4 ft Architectural Linear Strip Lights
AL-R-KIT-BK	Black	
AL8-R-KIT	White	Recessed Kit for 8 ft Architectural Linear Strip Lights
AL8-R-KIT-BK	Black	
AL-TB-KIT	N/A	T-Bar Mounting Kit for Architectural Linear Strip Lights
AL2-MR-KIT	N/A	Mud-in Recessed Kit for 2 ft Architectural Linear Strip Lights
AL-MR-KIT	N/A	Mud-in Recessed Kit for 4 ft and 8 ft Architectural Linear Strip Lights (Note: 2 kits required for 8 ft fixtures)
AL2-L-KIT	N/A	Louver Kit for 2 ft Architectural Linear Strip Lights
AL-L-KIT	N/A	Louver Kit for for 4 ft and 8 ft Architectural Linear Strip Lights (Note: 2 kits required for 8 ft fixtures)
AL-120-CON	White	120° Backlit Connector for Architectural Linear Strip Lights
AL-120-CON-BK	Black	
AL-L-CON	White	90° Backlit Connector for Architectural Linear Strip Lights
AL-L-CON-BK	Black	
AL-T-CON	White	T Backlit Connector for Architectural Linear Strip Lights
AL-T-CON-BK	Black	
AL-X-CON	White	X Backlit Connector for Architectural Linear Strip Lights
AL-X-CON-BK	Black	
AL-C-KIT	White	Connector Kit for use with Backlit Connectors (Note: Required to attach Backlit Connector Joints and Row Mounting Fixtures)
AL-C-KIT-BK	Black	



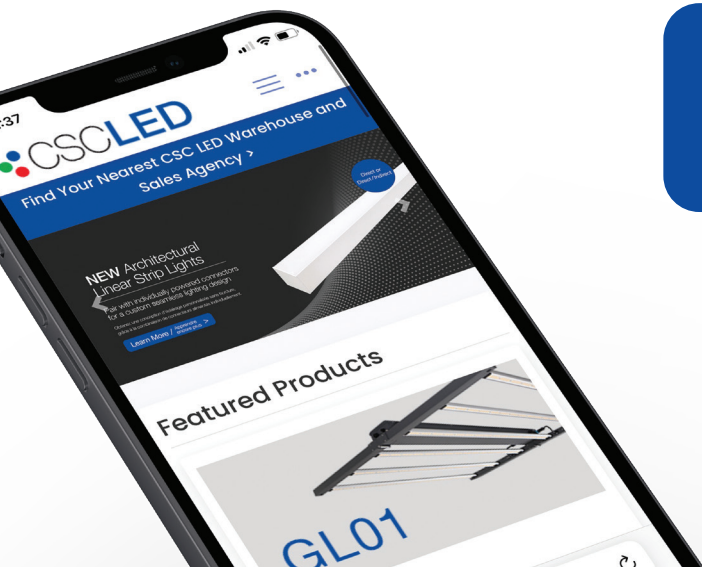
CONFIGURATION INSPIRATION



QTY	PRODUCT #	DESCRIPTION
4 x	AL4-DI-40W-3CCT-UD	4 ft, 40W, Direct/Indirect Luminaire
4 x	AL-L-CON	90° Connector
8 x	AL-C-KIT	Connector Kit
4 x	AL-S-KIT	Suspension Kit



QTY	PRODUCT #	DESCRIPTION
4 x	AL4-DI-40W-3CCT-UD	4 ft, 40W, Direct/Indirect Luminaire
1 x	AL-X-CON	X Connector
4 x	AL-C-KIT	Connector Kit
4 x	AL-S-KIT	Suspension Kit



Need Help From Our Technical Team?

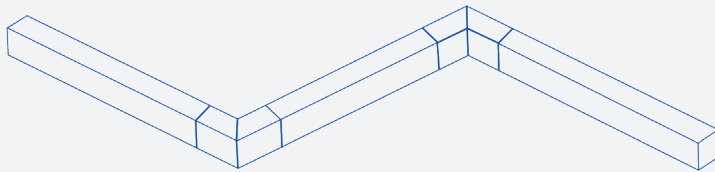
Not sure which configuration is the best choice for your space? Our technical team is happy to lend a hand and create a design customized to suit the needs of your project.

Simply email info@csc-led.com with your project details and one of our team members will be in touch!

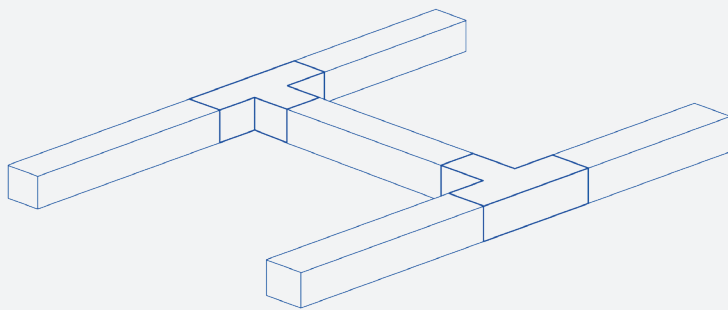


Looking for More Information?

To view product specifications, IES files, installation instructions, and more, scan the QR code with your smartphone or visit www.csc-led.com



QTY	PRODUCT #	DESCRIPTION
3 x	AL4-DI-40W-3CCT-UD	4 ft, 40W, Direct/Indirect Luminaire
2 x	AL-120-CON	120° Connector
4 x	AL-C-KIT	Connector Kit
3 x	AL-S-KIT	Suspension Kit



QTY	PRODUCT #	DESCRIPTION
5 x	AL4-DI-40W-3CCT-UD	4 ft, 40W, Direct/Indirect Luminaire
2 x	AL-T-CON	T Connector
6 x	AL-C-KIT	Connector Kit
4 x	AL-S-KIT	Suspension Kit

*If suspending from T-bar, replace AL-S-KIT with the same quantity of AL-TB-KIT





Industrial and Commercial LED Lighting

1-888-900-9885 | info@csc-led.com | www.csc-led.com

HEAD OFFICE

8-540 Jamieson Parkway
Cambridge, ON N3C 0G5
orders@csc-led.com

AB WAREHOUSE

13-2355 52nd Ave SE
Calgary, AB T2C 4X7
ordersbc@csc-led.com

BC OFFICE

1140-2375 Fremont Street
Port Coquitlam, BC V3B 0N9
ordersbc@csc-led.com

SALES AGENCIES

BRITISH COLUMBIA

Ken Watt & Associates
P: (604) 576-2838
www.kenwattassoc.com

MANITOBA

TMC Sales
P: (204) 837-5036
www.tmcsales.ca

ALBERTA / SASKATCHEWAN

Sensible Adaptive Solutions
P: (403) 519-4209
P: (403) 869-8252
www.sensibleadaptive.com

ONTARIO

Roney Marketing Ltd.
P: (905) 595-1344
www.roneymk.com

NEWFOUNDLAND AND LABRADOR

RWM Enterprises
P: (709) 682-4012

QUÉBEC

Ricard Agency
P: (514) 838-5625
www.agencericard.com

MARITIMES

Catalyst Sales and Marketing
P: (902) 266-3899
www.catalystsales.ca