

40W Linear Explosion-Proof Fixture

5000K | 2 ft | 120-277V

Suitable for hazardous environments where flammable gases or vapours, flammable liquids, and combustible dust and/or ignitable fibers may exist. Also suited for wet locations, marine environments, and high vibration applications



UL Hazloc
C1, D2, (Groups A,B,C,D)
UL844, UL1598, UL 8750



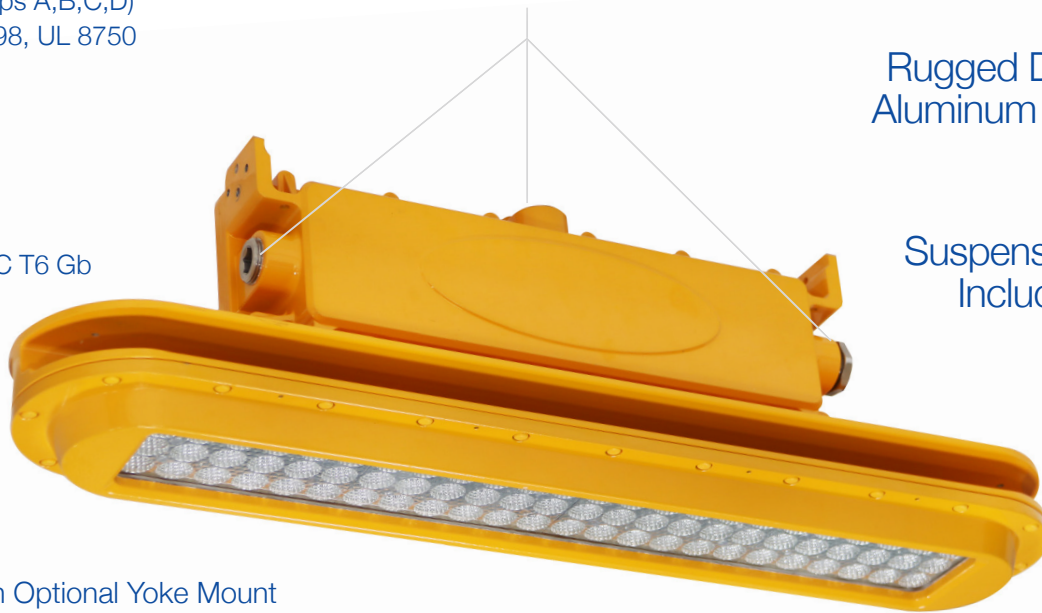
Atex
II 2 G Ex db IIC T6 Gb

3 x 3/4" NPT
Conduit Entry Points
for added flexibility

IP66 Driver In
Separate Compartment
10KV surge protection

Rugged Die Cast
Aluminum Housing

Suspension Kit
Included



Pictured with Optional Yoke Mount
(EXPL-YK)



Tempered Glass Lens
allows for soft, uniform light

Faceted Reflectors
in each LED chip for glare
control and beam precision



Optional Yoke Mount
Ordered Separately
EXPL-YK

TECHNICAL DATA



LIGHT SPECIFICATIONS

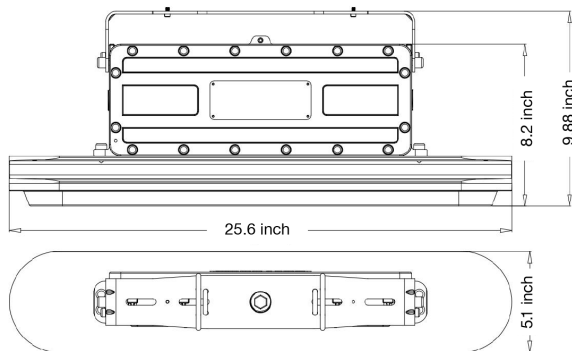
Lumens	5,881 lm
Efficacy	130 lm/W
CCT	5000K
CRI	>70
L70 Life	50,000 hrs
Dimmable	Yes
Warranty	5-year

APPROVALS AND LISTINGS

cUL	E517285
-----	---------

DIMENSIONS

(Shown with Optional Yoke Mount)



SUGGESTED SUBSTITUTION

EXPL-80W-4FT-50K



ELECTRICAL

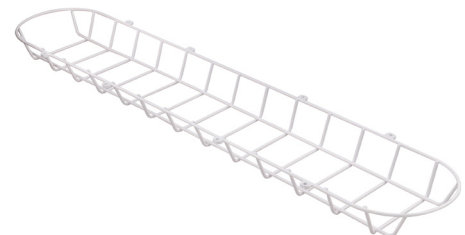
Wattage	40W
Voltage	100-277V
Power Factor	0.99
THD	<20%
Operating Temp	-40 to 65°C

CONSTRUCTION

Housing	Aluminum
Cover	Glass
Finish	Orange
IP Rating	IP66
Length	2 ft
Net Weight	10.68 kg
Gross Weight	12.5 kg
Carton Qty	1
Carton Dimensions	760 x 220 x 305 mm

ACCESSORIES (Ordered Separately)

Wireguard	EXPL-WG-2FT
Yoke Mount	EXPL-YK



Western Canada Warehouse: 121-1647 Broadway Street, Port Coquitlam, BC V3C 6P8 | ordersbc@csc-led.com