

100W Flood Light



Ideal for outdoor applications such as parking lots, construction sites, storage and rail yards, industrial locations, marinas, billboard/sign illumination and more



TECHNICAL DATA



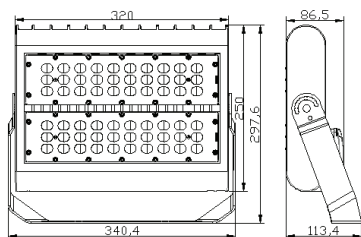
LIGHT SPECIFICATIONS

Lumens	12,507
Efficacy	125.23 lm/W
CCT	5000K
Beam angle	90 x 120°
CRI	82.9
Dimmable	0-10V dimmable
Rated hours	50,000
Warranty	10-year

APPROVALS AND LISTINGS

cUL	E352127
-----	---------

DIMENSIONS



ILLUMINANCE AT A DISTANCE

	Center Beam fc	Beam Width
17.0ft	14.27 fc	33.5 ft 60.4 ft
34.0ft	3.57 fc	67.0 ft 120.9 ft
51.0ft	1.59 fc	100.6 ft 181.3 ft
68.0ft	0.89 fc	134.1 ft 241.7 ft
85.0ft	0.57 fc	167.6 ft 302.2 ft
102.0ft	0.40 fc	201.1 ft 362.6 ft

■ Vert. Spread: 89.2°
■ Horiz. Spread: 121.3°

ELECTRICAL

Wattage	100W
Voltage	277-480V
Power factor	0.96
THD	18.53
Operating temp	-40° to 55°C

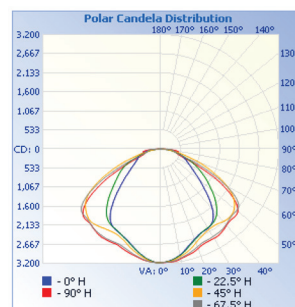
CONSTRUCTION

Housing	Aluminum
Finish	6mm, powder coat
Colour	Matte black
IP rating	IP65
Weight	12.7 - 13.7 lbs
Carton qty	1

NOTES

1m-cUL listed cable included

PHOTOMETRIC SPECS



Product #

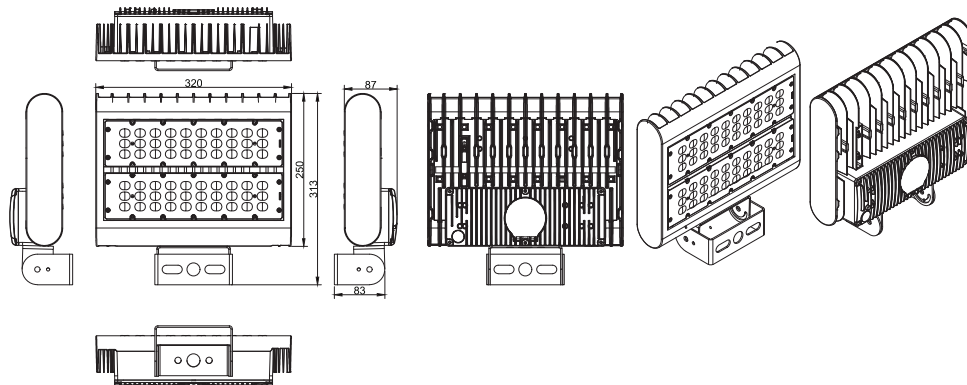
FL01H-100W-TR

WITH TRUNNION



DIMENSIONS

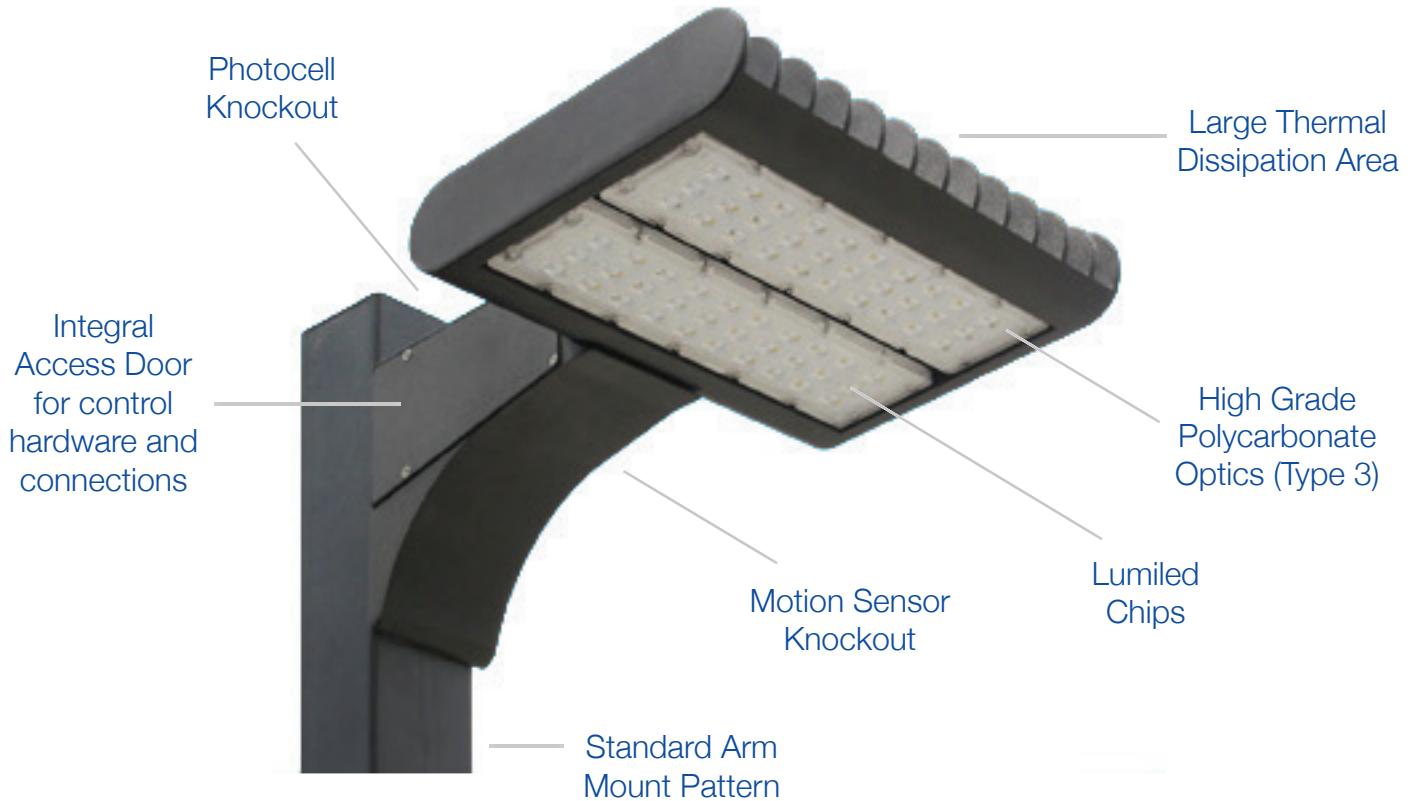
Fixture



Product #

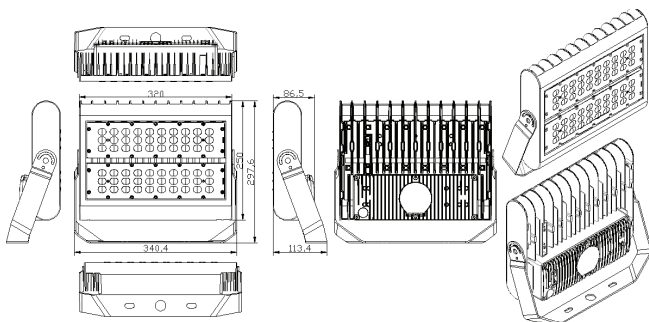
FL01H-100W-HA

WITH HORIZONTAL ARM

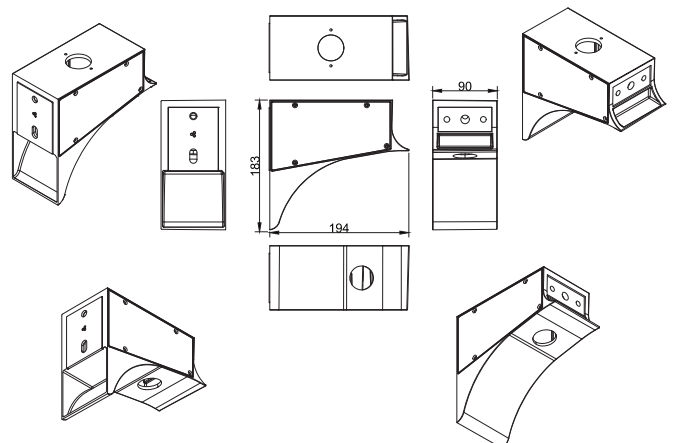


DIMENSIONS

Fixture



Horizontal Arm



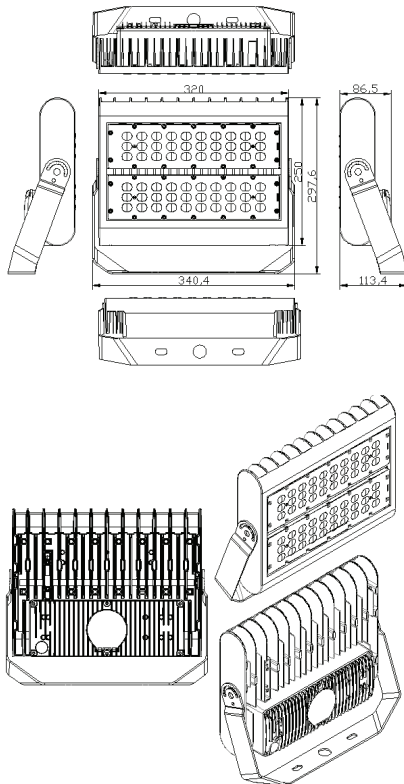
Product # FL01H-100W-SF

WITH SLIP FITTER



DIMENSIONS

Fixture



Slip Fitter

