

# 150W Flood Light



Ideal for outdoor applications such as parking lots, construction sites, storage and rail yards, industrial locations, marinas, billboard/sign illumination and more



## TECHNICAL DATA



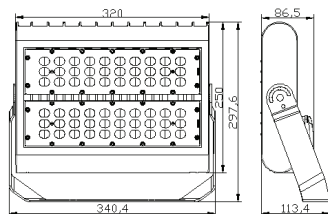
### LIGHT SPECIFICATIONS

|             |                |
|-------------|----------------|
| Lumens      | 18,167         |
| Efficacy    | 124.26 lm/W    |
| CCT         | 5000K          |
| Beam angle  | 90 x 120°      |
| CRI         | 82.7           |
| Dimmable    | 0-10V dimmable |
| Rated hours | 50,000         |
| Warranty    | 10-year        |

### APPROVALS AND LISTINGS

|     |         |
|-----|---------|
| cUL | E352127 |
|-----|---------|

### DIMENSIONS



### ELECTRICAL

|                |              |
|----------------|--------------|
| Wattage        | 150W         |
| Voltage        | 277-480V     |
| Power factor   | 0.96         |
| THD            | 6.41         |
| Operating temp | -40° to 55°C |

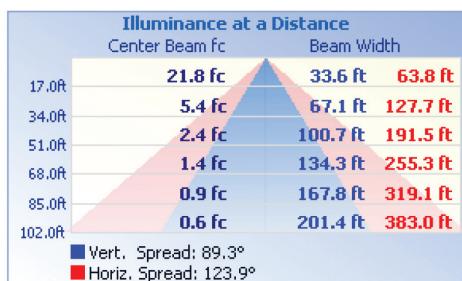
### CONSTRUCTION

|            |                  |
|------------|------------------|
| Housing    | Aluminum         |
| Finish     | 6mm, powder coat |
| Colour     | Matte black      |
| IP rating  | IP65             |
| Weight     | 13.4 - 14.4 lbs  |
| Carton qty | 1                |

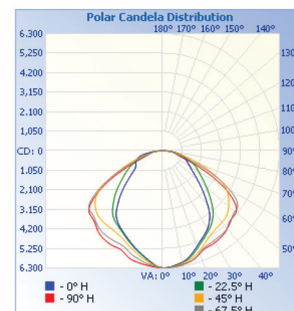
### NOTES

1m-cUL listed cable included

### ILLUMINANCE AT A DISTANCE



### PHOTOMETRIC SPECS



Product #

FL01H-150W-TR

WITH TRUNNION

Lumiled  
Chips

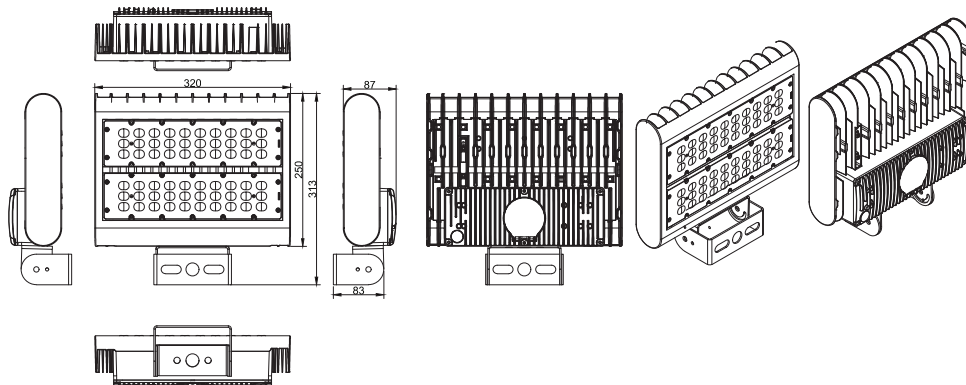
Large Thermal  
Dissipation Area



High Grade  
Polycarbonate  
Optics (Type 3)

## DIMENSIONS

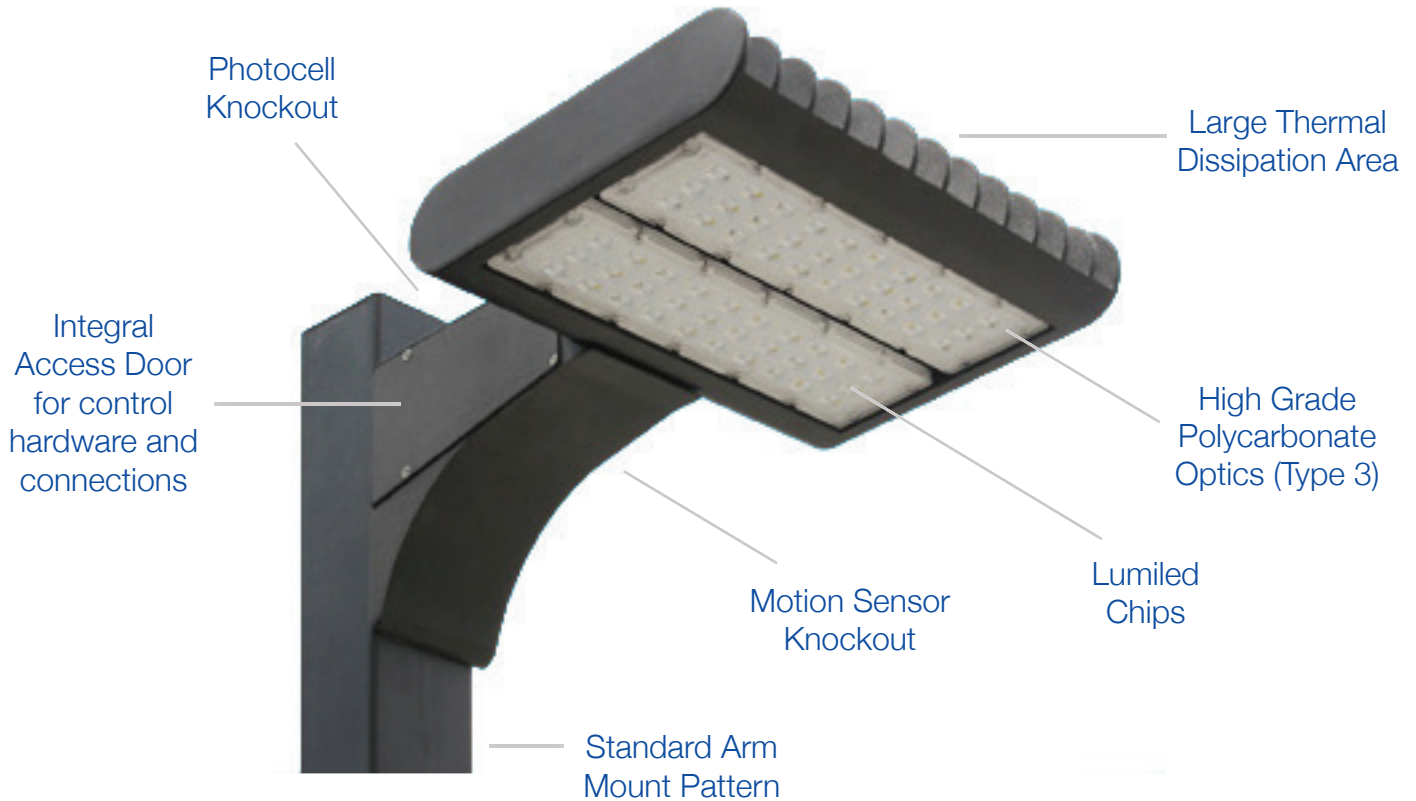
Fixture



Product #

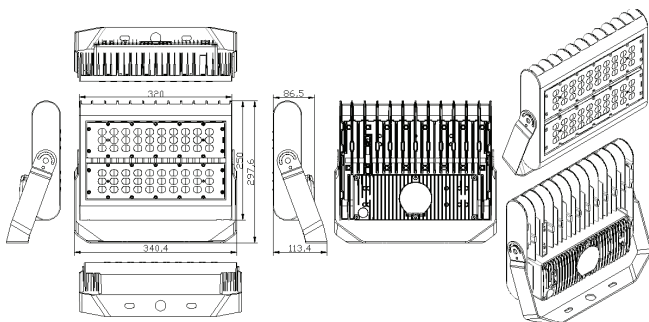
FL01H-150W-HA

WITH HORIZONTAL ARM

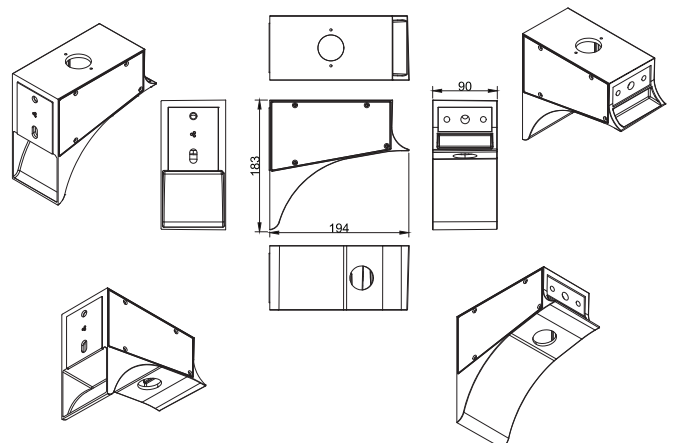


## DIMENSIONS

Fixture



Horizontal Arm



# 150W Flood Light

Product # **FL01H-150W-SF**

**WITH SLIP FITTER**



## DIMENSIONS

