

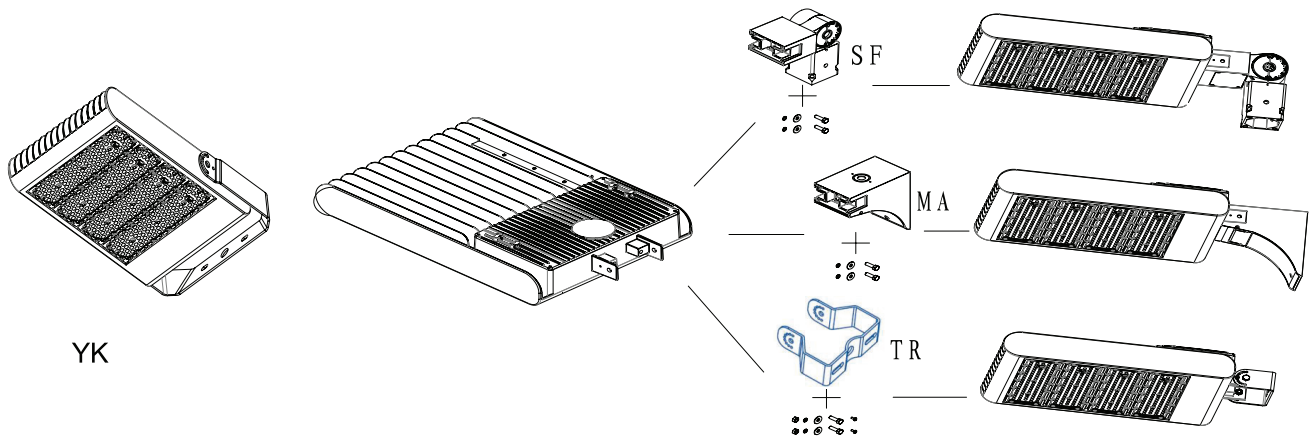


FL01P series Installation Instruction Manual

LED Flood Light, 100-277VAC / 277-480VAC

Model number parameter list:

Item	Model	Input Voltage	Power Factor	Watt	Input Current	Weight
A	FL01P-100W-50K	100-277VAC	>0.9	100W	1.5A	6.2kg
B	FL01P-100W-50K-HV	277-480VAC		100W	0.55A	6.25kg
C	FL01P-150W-50K	100-277VAC		150W	1.8A	6.25kg
D	FL01P-150W-50K-HV	277-480VAC		150W	0.88A	6.3kg
E	FL01P-230W-50K	100-277VAC		230W	2.5A	8.05kg
F	FL01P-230W-50K-HV	277-480VAC		230W	1.4A	8.1kg
G	FL01P-300W-50K	100-277VAC		300W	3.5A	10.8kg
H	FL01P-300W-50K-HV	277-480VAC		300W	1.8A	10.85kg



1. Instruction

- This LED Flood light uses the latest in solid state lighting technology for long life, low maintenance, and high efficiency.
- As with traditional HID lighting, there are two installation methods suitable for various occasions.
- An internal power-factor corrected switch-mode supply allows it to be used from any nominal 120-277V or 277-480V, 50~60Hz AC supply without any variation in light output.
- Suitable for use in the following locations:

Ambient Temp: -40~ + 40°C

Wet locations

Note: Save these instructions for further reference.

2. Installation

WARNING

To avoid the risk of fire, explosion, or electric shock, this product should be installed, inspected and maintained by a qualified electrician only. In accordance with all applicable electrical codes.

WARNING

To avoid electric shock:

- Be certain electrical power is OFF before and during installation and maintenance.
- Luminaire must be connected to a wiring system with an equipment-grounding conductor.

WARNING

To avoid explosion:

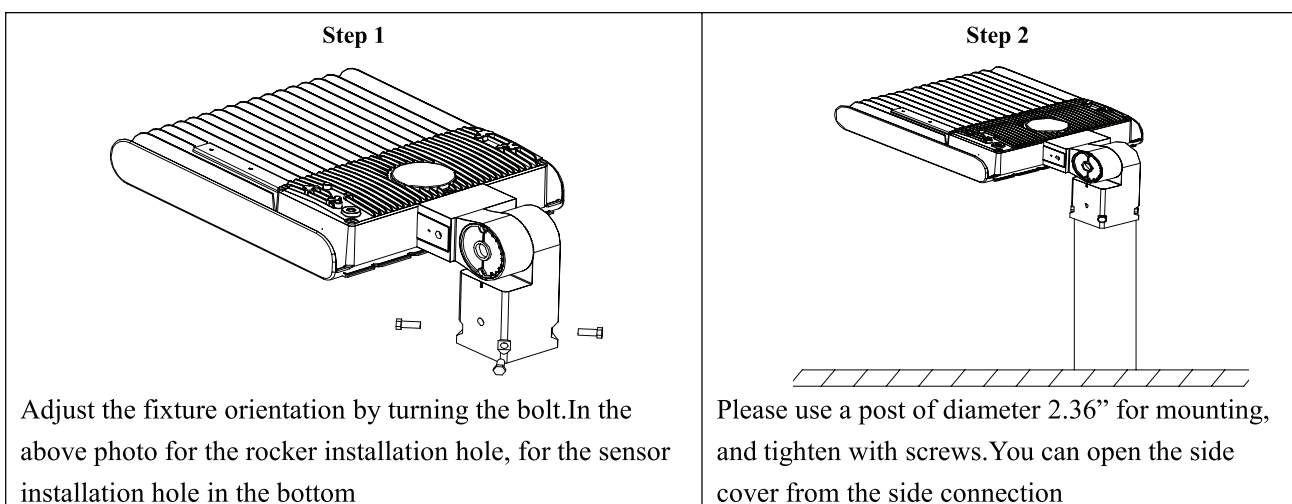
- Make sure the supply voltage is the same as the rated luminaire voltage.
- Do not install where the marked operating temperatures exceed the ignition temperature of the hazardous atmosphere.
- Do not operate in ambient temperatures above those indicated on the luminaire nameplate.
- Keep lens tightly closed when in operation.

For supply connections use wire rated for at least 90°C

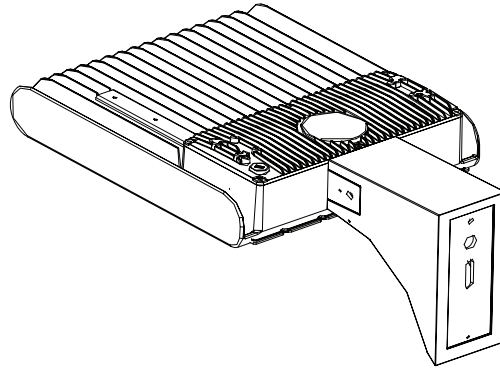
Installation Steps:

Refer to the following diagram when you install the fixture.

1. Mounting with a Slip Fitter:

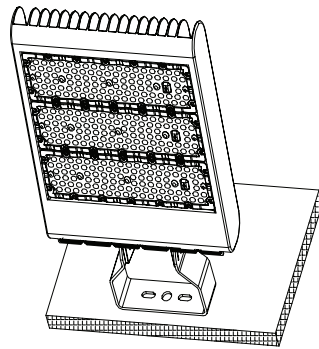


2. Mounting with Arm:



Directly with the screw on the lamp post. In the above straight arm has reserve light installation hole, for the sensor installation hole in the bottom. You can open the side cover from the side connection.

3. Wall Mounted:



The mounting method of the straight arm is added to a wall mounted fixing plate, and the fixing plate is mounted on the wall and the fixing plate is fixed by a nut.

After installation, please

- Check whether the lighting fixture is firmly fixed.
- Check all wires are connected correctly.
- Turn on power; check if the lighting fixture works well. If not, please turn off power and contact with local dealer.