

High Bay, LV

150W | 5000K | 120-277V



HB7

HB7 series High Bay

Ideal for warehouses, factories, and workshops



Optional frosted lens, extension cable, reflectors, bottom cover, yoke mount, mounting bracket available, sold separately. See reverse for details and ordering information.



TECHNICAL DATA



LIGHT SPECIFICATIONS

Lumens	20,223 lm
Efficacy	133 lm/W
CCT	5000K
CRI	80
L70 Life	60,000 hours
Dimmable	0-10V
Warranty	5-year

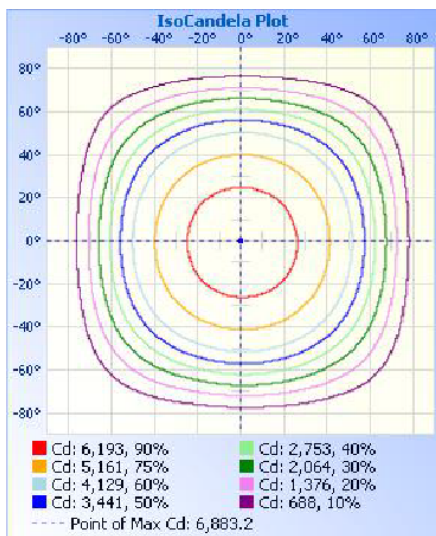
APPROVALS AND LISTINGS

cUL	E495046
DLC	PL7F0PTPXCS6

ILLUMINANCE AT A DISTANCE



ISOCANDELA PLOT



ELECTRICAL

Wattage	150W
Voltage	120-277V
Power Factor	0.90
THD	15%
Operating temp	-30 to 50°C

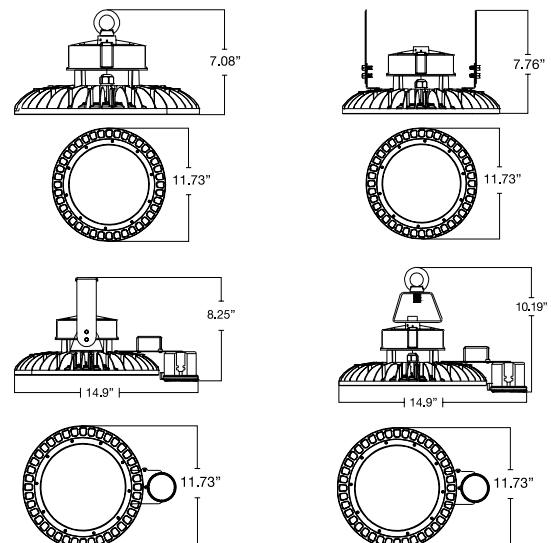
CONSTRUCTION

Housing	Aluminum alloy
Finish	Black
IP Rating	IP65
Weight	7.05 lbs
Carton qty	1
Carton weight	9.25 lbs
Carton dimensions	360 x 360 x 195 mm

ACCESSORIES (Ordered Separately)

HB7-AL-REF-A	Aluminum reflector
HB7-PC-REF-A	Polycarbonate reflector
HB7-FR-LENS-A	Frosted lens
HB7-1M-XCABLE	Extension cable
HB7-YK-SM	Yoke Mount for 100W, 150W
HB7-MB4MS	Motion sensor mounting bracket

DIMENSIONS



Western Canada Warehouse: 121-1647 Broadway Street, Port Coquitlam, BC V3C 6P8 | ordersbc@csc-led.com