

High Bay

150W | 4000K | 120-347V



HB7B

Ideal for warehouses, factories, gas stations, gymnasiums, grocery stores and more.



Accessories (Ordered Separately):
Wire Guard, Motion Sensor, Motion Sensor Remote,
Yoke Mount, Aluminum or Polycarbonate Reflector,
Polycarbonate Bottom Cover, Frosted Lens



HB7B-AL-REF-SM



HB7B-PC-REF-SM



HB7B-YK-SM



HB7B-SENSOR



HB7B-REMOTE

TECHNICAL DATA



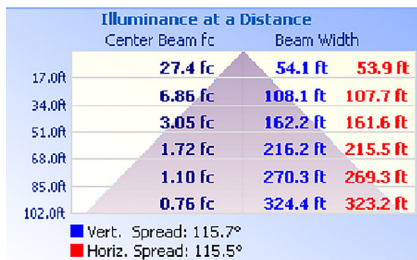
LIGHT SPECIFICATIONS

Lumens	22,724 lm
Efficacy	149 lm/W
CCT	4000K
CRI	80
Beam Angle	120°
Dimmable	0-10V
Warranty	5-year

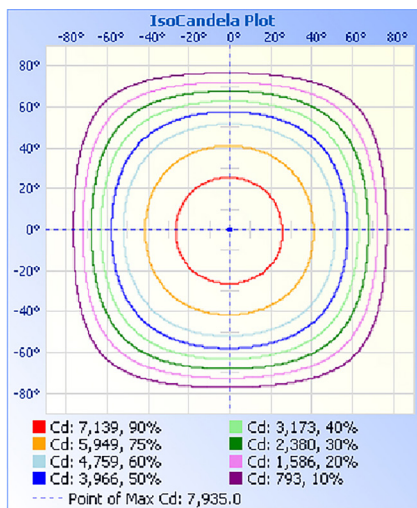
APPROVALS AND LISTINGS

cUL	E482965
DLC Premium	PLDZFBACJITC

ILLUMINANCE AT A DISTANCE



ISOCANDELA PLOT



ELECTRICAL

Wattage	150W
Voltage	120-347V
Power Factor	0.9
THD	15%
Operating Temp	-40 to 55°C

CONSTRUCTION

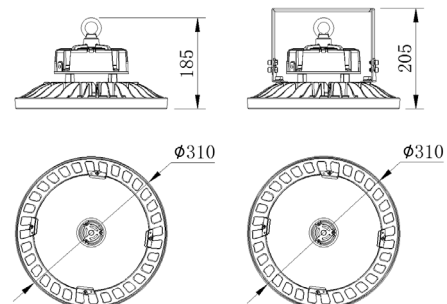
Housing	Aluminum alloy
Cover	Clear glass
Finish	Black
IP Rating	IP65
Net Weight	2.95 kg
Carton Qty	1
Carton Weight	4 kg
Carton Dimensions	382 x 382 x 196 mm

ACCESSORIES (Ordered Separately)

Motion Sensor	HB7B-SENSOR
Motion Sensor Remote	HB7B-REMOTE
Yoke Mount	HB7B-YK-SM
Wire Guard	HB7B-WG-SM
Aluminum Reflector	HB7B-AL-REF-SM
PC Reflector	HB7B-PC-REF-SM
PC Bottom Cover	HB7B-PC-REF-SM-BCV
Frosted Lens	HB7B-FR-LENS-SM

Note: HB7B-SENSOR will dim the fixture to 10%, but will **not** turn the fixture fully off.

DIMENSIONS



Western Canada Warehouse: 121-1647 Broadway Street, Port Coquitlam, BC V3C 6P8 | ordersbc@csc-led.com