

High Bay

Power Selectable | Colour Selectable | 120-347V

HB8 HIGH BAY

The successor to our best-selling HB7C High Bays!
Ideal for warehouses, factories, gas stations, gymnasiums, grocery stores, food processing facilities, and more

Newly Designed,
Shatterproof
Polycarbonate Optics
meet/exceed DLC 5.1
glare standards

Power Selectable
60W / 80W / 100W

Instant Start and
0-10V Dimmable

Long Life, Elevated Driver
for cooler operation

Colour Selectable
3000K / 4000K / 5000K

Polyester Powder
Coat Finish
black





TECHNICAL DATA

LIGHT SPECIFICATIONS

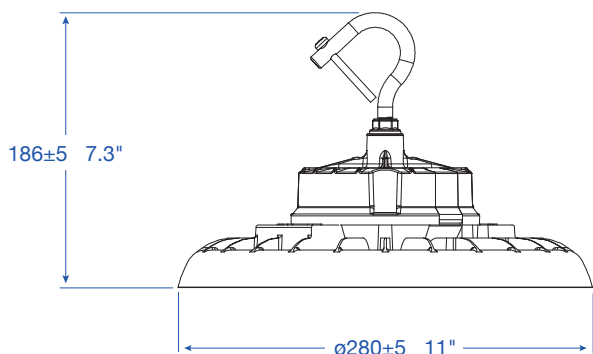
Lumens*	13,587 lm
Efficacy*	135 lm/W
CCT	3000K / 4000K / 5000K
CRI	82
Beam Angle	90°
Dimmable	0-10V
L70 Life	50,000 hrs
Warranty	5-year

*Shown at 100W and 3000K

APPROVALS & LISTINGS

cUL	E482965
-----	---------

DIMENSIONAL DRAWINGS



ELECTRICAL

Wattage	60W / 80W / 100W
Voltage	120-347V
Current	1.20A
Surge Protection	6kV
Auxiliary Output	12V
Power Factor	0.9
THD	15%
Operating Temp	-40 to 50°C

CONSTRUCTION

Housing	Die-Cast Aluminum
Lens	Polycarbonate
Finish	Powder Coated
Finish Colour	Black
IP Rating	IP65

DIMENSIONS AND WEIGHTS

Fixture Weight	4.85 lbs
Fixture Dimensions	11 x 11 x 7.3 in
Carton Qty	1
Carton Weight	5.95 lbs
Carton Dimensions	11.8 x 11.8 x 4.9 in

ACCESSORIES (Ordered Separately)

Polycarbonate Reflector	HB8-PC-REF-SM
Polycarbonate Cover	HB8-PC-REF-SM-BCV
Aluminum Reflector	HB8-AL-REF-SM
Wire Guard	HB8-WG-SM
Yoke Mount	HB8-YK-SM
Microwave Sensor	HB01DMS-A
Motion Sensor Remote	HB01R
Frosted Lens	HB8-FR-LENS-SM
120° Optics	HB8-120D-LENS-SM
60° Optics	HB8-60D-LENS-SM

HEAD OFFICE: 8 - 540 Jamieson Pkwy, Cambridge, ON, N3C 0G5 | orders@csc-led.com | (519) 880 - 9833