



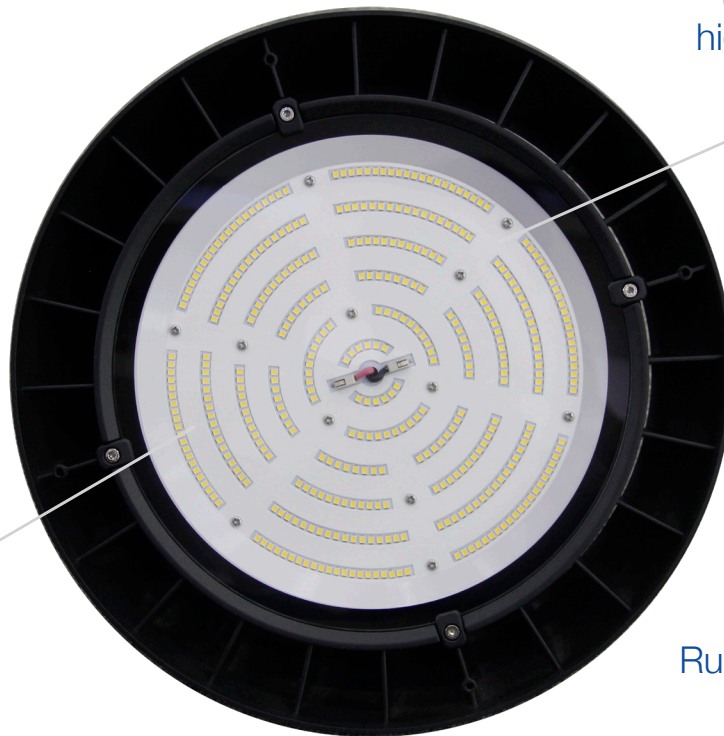
# 100W High Bay, HV

Pendant style High Bay with Premium Performance

Optional microwave motion sensor, aluminum reflector, PC reflector, anti-glare kit, yoke, and emergency battery back-up kit available

Polyester  
Powder Coat  
Finish

High-impact  
tempered glass with  
high light transmittance



IP65

Rugged Cast Aluminum

0-10V  
Dimmable



Shown with optional Dimmable Motion Sensor



Shown with optional Emergency Battery Back Up Kit



Shown with optional Frosted Polycarbonate Lens



Shown with optional Clear Polycarbonate Lens



## TECHNICAL DATA



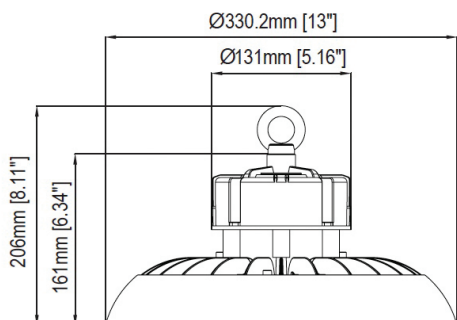
### LIGHT SPECIFICATIONS

Lumens	14,924
Efficacy	152.59 lm/W
CCT	5000K
Beam angle	110°
CRI	70
Dimmable	0-10V
Rated hours	50,000
Warranty	5-year

### APPROVALS AND LISTINGS

cUL	E482965
DLC PREMIUM	PQYS0056

### DIMENSIONS



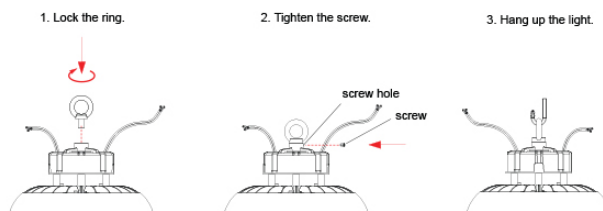
### ELECTRICAL

Wattage	100W
Voltage	277-480V
Power factor	0.88
THD	16.96%
Operating temp	-40 to 40°C

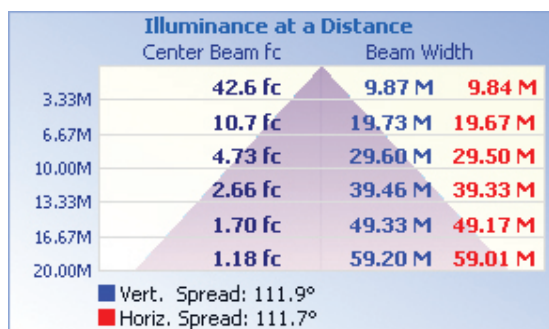
### CONSTRUCTION

Housing	Cast Aluminum
Finish	Powder Coat
Colour	Black
IP rating	IP65
Weight	9.2 lbs
Carton qty	1

### INSTALLATION INSTRUCTIONS



### ILLUMINANCE AT A DISTANCE



### ACCESSORIES

Microwave Motion Sensor Kit	HBP-MMS-KIT
Aluminum Reflector	HBP-AL-REF-A
Anti-glare Kit	HBP-AGK-A
Yoke Mount	HBP-YK-A
Emergency Battery Backup Kit	HBP-EBU
Polycarbonate Frosted Lens	HBP-FR-LENS-A
Polycarbonate Lens	HBP-PC-LENS-A
PC Reflector (100W/150W)	HBP-PC-REF-A