



150W High Bay, HV

Pendant style High Bay with Premium Performance

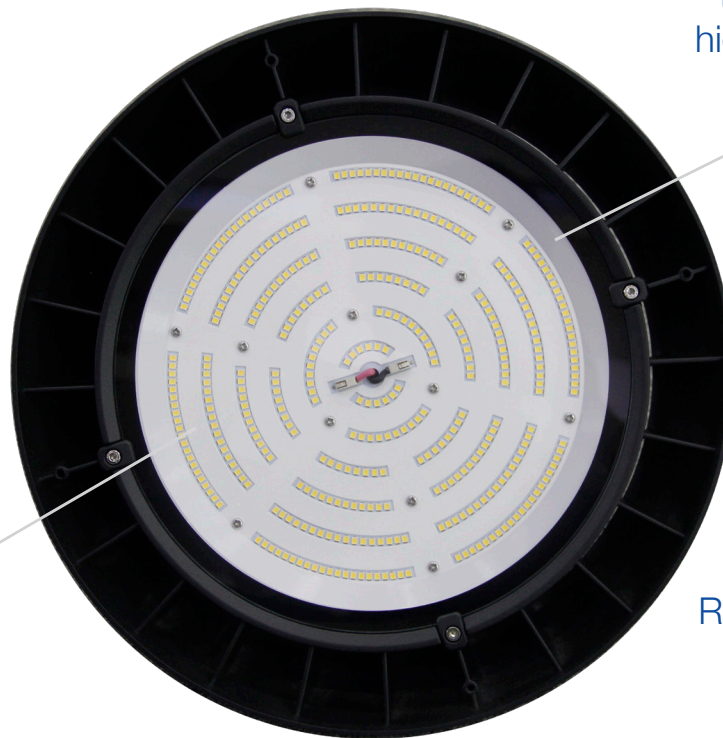
Optional microwave motion sensor, aluminum reflector, PC reflector, anti-glare kit, yoke, and emergency battery back-up kit available

Polyester
Powder Coat
Finish

High-impact
tempered glass with
high light transmittance

IP65

Rugged Cast Aluminum



0-10V
Dimmable



Shown with optional
Dimmable Motion Sensor



Shown with optional
Emergency Battery
Back Up Kit



Shown with optional
Frosted Polycarbonate
Lens



Shown with optional
Clear Polycarbonate
Lens



TECHNICAL DATA



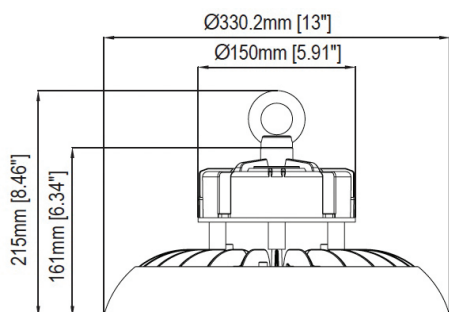
LIGHT SPECIFICATIONS

Lumens	20,306
Efficacy	136.93 lm/W
CCT	4000K
Beam angle	110°
CRI	80
Dimmable	0-10V
Rated hours	50,000
Warranty	5-year

APPROVALS AND LISTINGS

cUL	E482965
DLC PREMIUM	PLOFH8C2N04E

DIMENSIONS



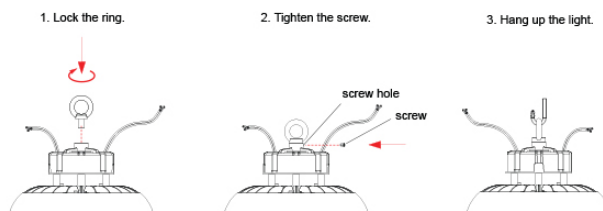
ELECTRICAL

Wattage	150W
Voltage	277-480V
Power factor	0.89
THD	19.68%
Operating temp	-40 to 40°C

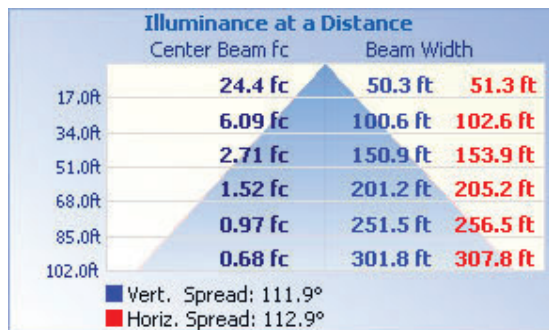
CONSTRUCTION

Housing	Cast Aluminum
Finish	Powder Coat
Colour	Black
IP rating	IP65
Weight	9.2 lbs
Carton qty	1

INSTALLATION INSTRUCTIONS



ILLUMINANCE AT A DISTANCE



ACCESSORIES

Microwave Motion Sensor Kit	HBP-MMS-KIT
Aluminum Reflector	HBP-AL-REF-A
Anti-glare Kit	HBP-AGK-A
Yoke Mount	HBP-YK-A
Emergency Battery Backup Kit	HBP-EBU
Polycarbonate Frosted Lens	HBP-FR-LENS-A
Polycarbonate Lens	HBP-PC-LENS-A
PC Reflector (100W/150W)	HBP-PC-REF-A
Wireguards (150W)	HBP-WG15