



150W High Bay, HV

Pendant style High Bay with Premium Performance

Optional microwave motion sensor, aluminum reflector, PC reflector, anti-glare kit, and emergency battery back-up kit available

Polyester Powder Coat Finish

High-impact tempered glass with high light transmittance



IP65

Rugged Cast Aluminum (WHITE FINISH)

0-10V Dimmable



Shown with optional Dimmable Motion Sensor



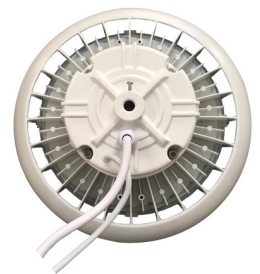
Shown with optional Emergency Battery Back Up Kit



Shown with optional Frosted Polycarbonate Lens



Shown with optional Clear Polycarbonate Lens



TECHNICAL DATA



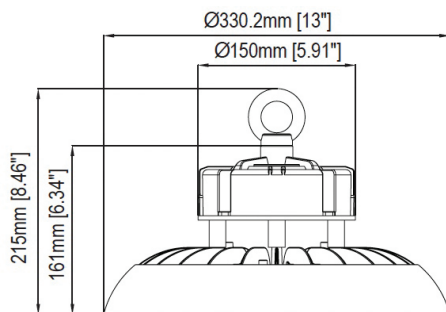
LIGHT SPECIFICATIONS

Lumens	20,103
Efficacy	136.38 lm/W
CCT	4000K
Beam angle	110°
CRI	82.8
Dimmable	0-10V
Rated hours	50,000
Warranty	5-year

APPROVALS AND LISTINGS

cUL	E482965
DLC PREMIUM	PLOFH8C2N04E

DIMENSIONS



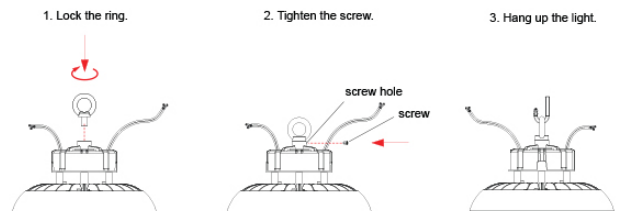
ELECTRICAL

Wattage	150W
Voltage	277-480V
Power factor	0.89
THD	19.65%
Operating temp	-40 to 40°C

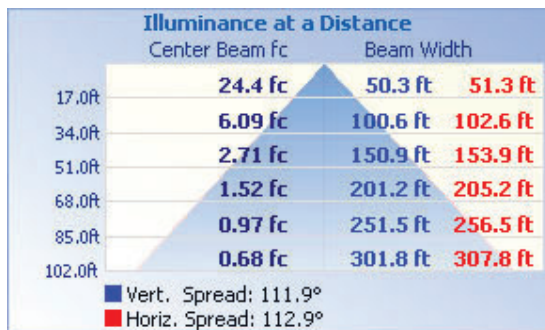
CONSTRUCTION

Housing	Cast Aluminum
Finish	Powder Coat
Colour	White
IP rating	IP65
Weight	9.2 lbs
Carton qty	1

INSTALLATION INSTRUCTIONS



ILLUMINANCE AT A DISTANCE



ACCESSORIES

Microwave Motion Sensor Kit	HBP-MMS-KIT
Aluminum Reflector	HBP-AL-REF-A
Anti-glare Kit	HBP-AGK-A
Yoke Mount	HBP-YK-A
Emergency Battery Backup Kit	HBP-EBU
Polycarbonate Frosted Lens	HBP-FR-LENS-A
Polycarbonate Lens	HBP-PC-LENS-A
PC Reflector (100W/150W)	HBP-PC-REF-A
Wireguards (150W)	HBP-WG15