



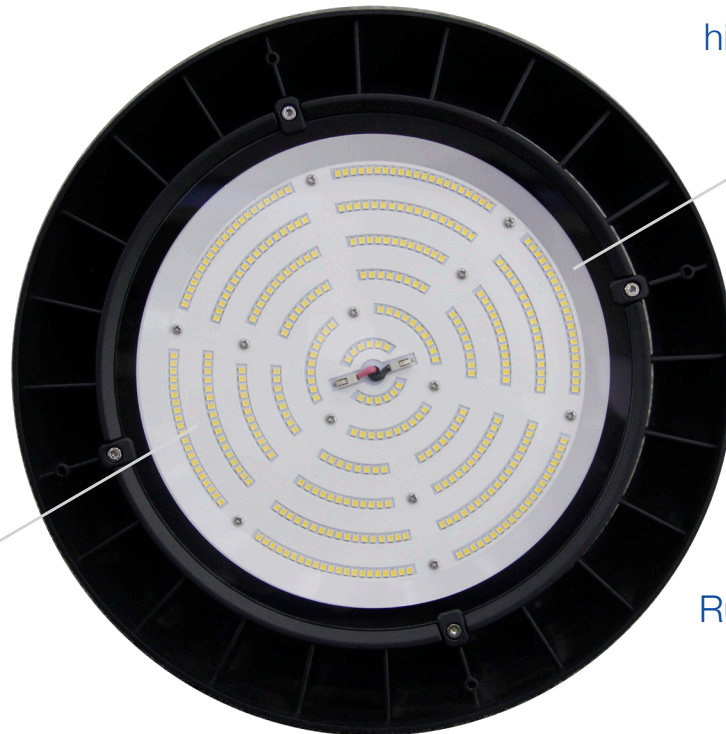
240W High Bay

Pendant style High Bay with Premium Performance

Optional microwave motion sensor, aluminum reflector, PC reflector, anti-glare kit, and yoke available

Polyester
Powder Coat
Finish

High-impact
tempered glass with
high light transmittance



IP65

Rugged Cast Aluminum



Shown with optional
Dimmable Motion Sensor



Shown with optional
Frosted Polycarbonate
Lens



Shown with optional
Clear Polycarbonate
Lens

0-10V
Dimmable



TECHNICAL DATA



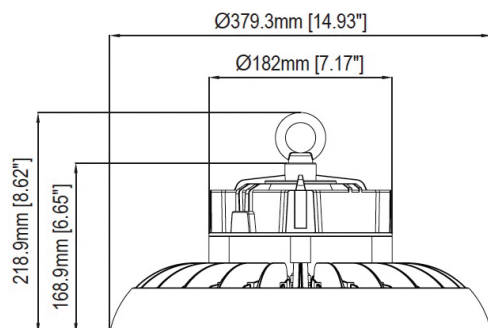
LIGHT SPECIFICATIONS

Lumens	31,101
Efficacy	127.46 lm/W
CCT	4000K
Beam angle	110°
CRI	84.5
Dimmable	0-10V
Rated hours	50,000
Warranty	5-year

APPROVALS AND LISTINGS

cUL	E482965
DLC PREMIUM	PLZ1OI8M1P9H

DIMENSIONS



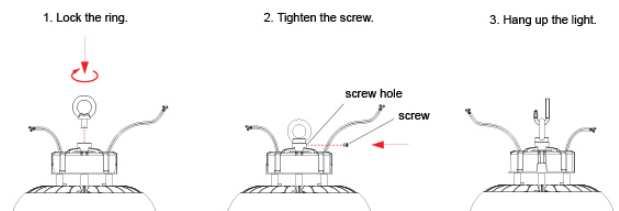
ELECTRICAL

Wattage	240W
Voltage	120-277V
Power factor	0.91
THD	7.67%
Operating temp	-40 to 40°C

CONSTRUCTION

Housing	Cast Aluminum
Finish	Powder Coat
Colour	Black
IP rating	IP65
Weight	13 lbs
Carton qty	1

INSTALLATION INSTRUCTIONS



ILLUMINANCE AT A DISTANCE

	Illuminance at a Distance	
	Center Beam fc	Beam Width
3.33M	96.0 fc	9.68 M 9.65 M
6.67M	24.0 fc	19.36 M 19.30 M
10.00M	10.7 fc	29.04 M 28.95 M
13.33M	6.00 fc	38.71 M 38.60 M
16.67M	3.84 fc	48.39 M 48.25 M
20.00M	2.67 fc	58.08 M 57.91 M

■ Vert. Spread: 110.9°
■ Horiz. Spread: 110.7°

ACCESSORIES

Microwave Motion Sensor Kit	HBP-MMS-KIT
Aluminum Reflector	HBP-AL-REF-B
Anti-glare Kit	HBP-AGK-B
Yoke Mount	HBP-YK-B
Emergency Battery Backup Kit	HBP-EBU
Polycarbonate Frosted Lens	HBP-FR-LENS-B
Polycarbonate Lens	HBP-PC-LENS-B
PC Reflector (200W/240W)	HBP-PC-REF-B