

LHB03 Linear High Bay

110W | 4000K | 120-347V



Ideal for warehouses, factories, workshops, and more
Energy efficient replacement for traditional fluorescent fixtures and HID high bays



Mounting Hooks Included
2 x mounting hooks and 2 x 40" chains

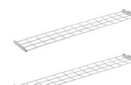
Accessories (Sold Separately):
Motion Sensor (HB01DMS-A), Motion Sensor Remote (HB01R),
Wireguard (LHB-110-165-WG), Bracket (LHB-BRACKET-SM)



HB01DMS-A



HB01R



LHB-110-165-WG



LHB-BRACKET-SM

TECHNICAL DATA



LIGHT SPECIFICATIONS

Lumens	14,813 lm
Efficacy	138 lm/W
CCT	4000K
CRI	82
Dimmable	0-10V
Beam Angle	90°
L70 Life	>51,000 hrs
Warranty	5-year

APPROVALS AND LISTINGS

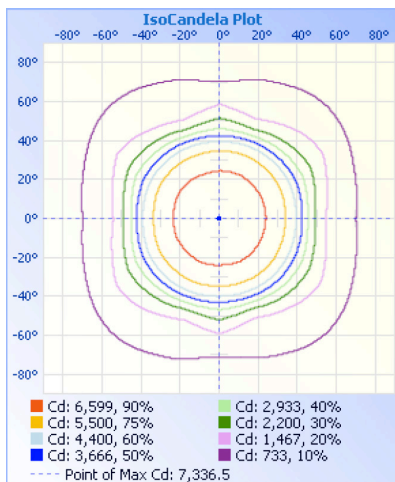
cUL	E482965
DLC Premium	PLRLVRVJ0BYV

ILLUMINANCE AT A DISTANCE

	Center Beam fc	Beam Width	
17.0ft	25.4 fc	31.4 ft	31.0 ft
34.0ft	6.34 fc	62.9 ft	62.1 ft
51.0ft	2.82 fc	94.3 ft	93.1 ft
68.0ft	1.59 fc	125.8 ft	124.2 ft
85.0ft	1.01 fc	157.2 ft	155.2 ft
102.0ft	0.70 fc	188.6 ft	186.2 ft

■ Vert. Spread: 85.5°
■ Horiz. Spread: 84.8°

ISOCANDELA



ELECTRICAL

Wattage	110W
Voltage	120-347V
Surge Protection	4kV
Auxiliary Output	12V
Power Factor	0.9
THD	15%
Operating Temp	-25 to 50°C

CONSTRUCTION

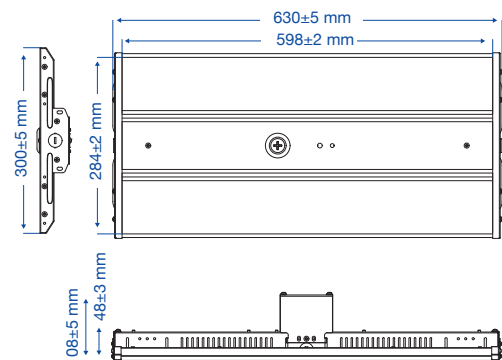
Housing	Steel
Finish	Powder Coat
Finish Colour	White
IP Rating	IP20
Net Weight	6.2 kg
Gross Weight	7.8 kg
Product Dimensions	630 x 300 x 48 mm
Carton Qty	2
Carton Dimensions	720 x 360 x 185 mm

ACCESSORIES (SOLD SEPARATELY)

HB01DMS-A	Motion Sensor
HB01R	Remote for Motion Sensor
LHB-110-165-WG	Wireguard
LHB-BRACKET-SM	Pendant Mounting Bracket

NOTE: Remote (HB01R) is **required** for motion sensor (HB01DMS-A) to function.

DIMENSIONS



HEAD OFFICE: 8 - 540 Jamieson Pkwy, Cambridge, ON, N3C 0G5 | orders@csc-led.com | (519) 880 - 9833