

# LHB03 Linear High Bay

165W | 5000K | 120-347V



Ideal for warehouses, factories, workshops, and more  
Energy efficient replacement for traditional fluorescent fixtures and HID high bays



Mounting Hooks Included  
2 x mounting hooks and 2 x 40" chains

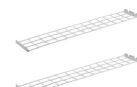
Accessories (Sold Separately):  
Motion Sensor (HB01DMS-A), Motion Sensor Remote (HB01R),  
Wireguard (LHB-110-165-WG), Bracket (LHB-BRACKET-SM)



HB01DMS-A



HB01R



LHB-110-165-WG



LHB-BRACKET-SM

## TECHNICAL DATA



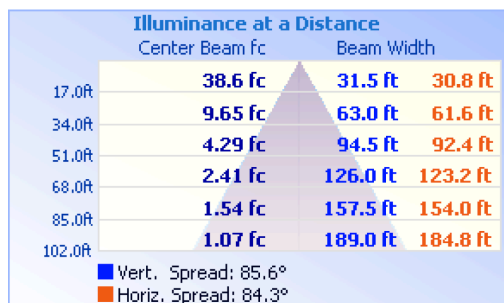
### LIGHT SPECIFICATIONS

Lumens	22,506 lm
Efficacy	137 lm/W
CCT	5000K
CRI	82
Dimmable	0-10V
Beam Angle	90°
L70 Life	>51,000 hrs
Warranty	5-year

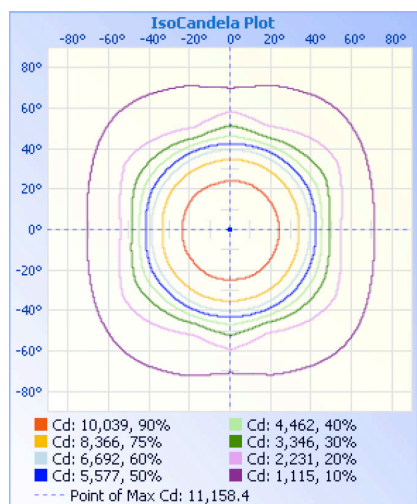
### APPROVALS AND LISTINGS

cUL	E482965
DLC Premium	PL3RKF6DBWO

### ILLUMINANCE AT A DISTANCE



### ISOCANDELA



### ELECTRICAL

Wattage	165W
Voltage	120-347V
Surge Protection	4kV
Auxiliary Output	12V
Power Factor	0.9
THD	15%
Operating Temp	-25 to 50°C

### CONSTRUCTION

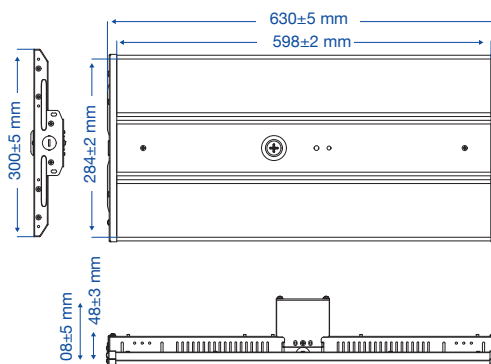
Housing	Steel
Finish	Powder Coat
Finish Colour	White
IP Rating	IP20
Net Weight	7.4 kg
Gross Weight	9.1 kg
Product Dimensions	630 x 300 x 48 mm
Carton Qty	2
Carton Dimensions	720 x 360 x 185 mm

### ACCESSORIES (SOLD SEPARATELY)

HB01DMS-A	Motion Sensor
HB01R	Remote for Motion Sensor
LHB-110-165-WG	Wireguard
LHB-BRACKET-SM	Pendant Mounting Bracket

NOTE: Remote (HB01R) is **required** for motion sensor (HB01DMS-A) to function.

### DIMENSIONS



HEAD OFFICE: 8 - 540 Jamieson Pkwy, Cambridge, ON, N3C 0G5 | orders@csc-led.com | (519) 880 - 9833