

# LHB03 Linear High Bay

300W | 4000K | 120-347V



Ideal for warehouses, factories, workshops, and more  
Energy efficient replacement for traditional fluorescent fixtures and HID high bays



120-347V Driver with 4kV surge protection

0-10V Dimmable

Instant Start with no flickering or humming

Newly Designed, Shatterproof Polycarbonate Optics meet/exceed DLC 5.1 glare standards

Centre Knockout Allows for Easy Installation of an Optional Motion Sensor (sold separately)

Complete with 10' Cord Whip



Mounting Hooks Included  
2 x mounting hooks and 2 x 40" chains

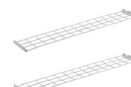
Accessories (Sold Separately):  
Motion Sensor (HB01DMS-A), Motion Sensor Remote (HB01R),  
Wireguard (LHB-300-WG), Bracket (LHB-BRACKET-LG)



HB01DMS-A



HB01R



LHB-300-WG



LHB-BRACKET-LG

## TECHNICAL DATA



### LIGHT SPECIFICATIONS

Lumens	41,006 lm
Efficacy	136 lm/W
CCT	4000K
CRI	82
Dimmable	0-10V
Beam Angle	90°
L70 Life	>51,000 hrs
Warranty	5-year

### APPROVALS AND LISTINGS

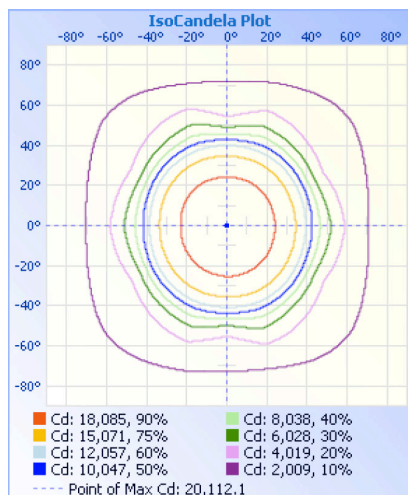
cUL	E482965
DLC Premium	PLRL1C420040

### ILLUMINANCE AT A DISTANCE

	Center Beam fc	Beam Width	
17.0ft	69.5 fc	31.9 ft	30.8 ft
34.0ft	17.4 fc	63.8 ft	61.7 ft
51.0ft	7.73 fc	95.6 ft	92.5 ft
68.0ft	4.35 fc	127.5 ft	123.3 ft
85.0ft	2.78 fc	159.4 ft	154.1 ft
102.0ft	1.93 fc	191.3 ft	185.0 ft

■ Vert. Spread: 86.3°  
■ Horiz. Spread: 84.4°

### ISOCANDELA



### ELECTRICAL

Wattage	300W
Voltage	120-347V
Surge Protection	4kV
Auxiliary Output	12V
Power Factor	0.9
THD	15%
Operating Temp	-25 to 50°C

### CONSTRUCTION

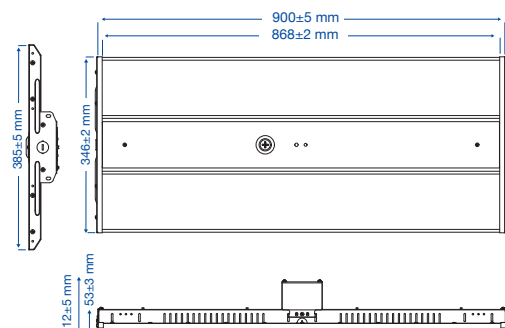
Housing	Steel
Finish	Powder Coat
Finish Colour	White
IP Rating	IP20
Net Weight	6.3 kg
Gross Weight	8.3 kg
Product Dimensions	900 x 385 x 53 mm
Carton Qty	1
Carton Dimensions	1000 x 460 x 125 mm

### ACCESSORIES (SOLD SEPARATELY)

HB01DMS-A	Motion Sensor
HB01R	Remote for Motion Sensor
LHB-300-WG	Wireguard
LHB-BRACKET-LG	Pendant Mounting Bracket

**NOTE:** Remote (HB01R) is **required** for motion sensor (HB01DMS-A) to function.

### DIMENSIONS



HEAD OFFICE: 8 - 540 Jamieson Pkwy, Cambridge, ON, N3C 0G5 | orders@csc-led.com | (519) 880 - 9833