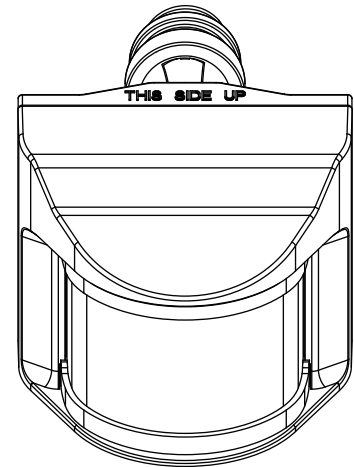


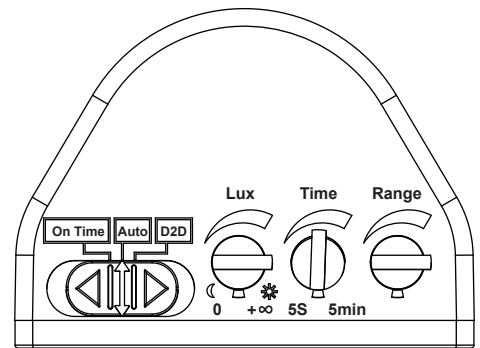
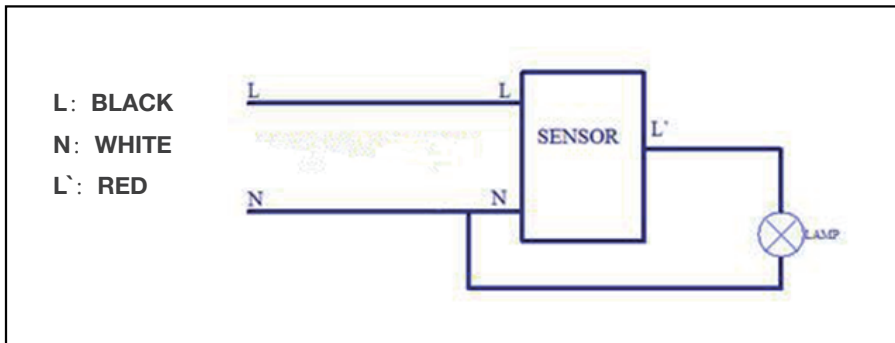
1. Specification

- Input voltage: 100-277V 50/60Hz
- Rated load: MAX 350W
- Detection Range (horizontal): 150°
- Detection Range (vertical): 90°
- Detection Distance: 6~21m (adjustable)
- Time Setting: 5 seconds - 5 minutes $\pm 30\%$
- Ambient Light: Night detect: 5-50Lux, Day detect: 35-400Lux
- Detection Motion Speed: 0.6-1.5m/s
- Working Temperature: -30°C to +45°C
- Installation Height: 1-4m; Standard Height: 2.5m
- Operating Model: ON TIME/Auto/D2D



150°

2. Wiring Diagram



3. Function :

- **ON TIME:** Fixture remains on at all times.
- **AUTO:** In auto mode, light turns on when motion is detected.
- **D2D:** Dusk to mode, fixture will come on when dark and off automatically at dawn. (Recommend lux level set to minimum)
- **TIME:** Adjust time on after motion event detected.
- **RANGE:** Adjust for motion sensitivity.