

2'x 2' Premium Panel

20W, 30W, 40W Selectable | Colour Tunable | 120-347V

High performance, light-weight luminaires suitable for lay-in, surface or pendant mounting
Ideal for use in schools, health care applications, offices, retail spaces, and more

0-10V Dimming Lead on Both Sides of Driver Junction Box

Use Switches to Select Colour Temperature and Wattage



Non-yellowing Frosted Lens

120-347V, 0-10V Dimmable Driver

Wattage Selectable
(20W / 30W / 40W)

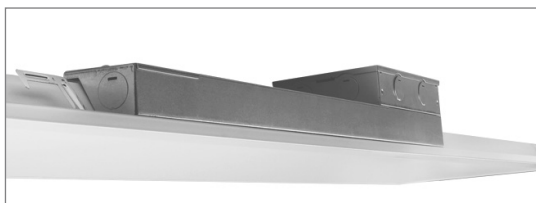
Seismic Clips Included

CCT Tunable
(3000K/3500K/4000K)



Waffle Stamping increases heat dissipation and driver life

Less than 1.8" Deep
ideal for tight plenum areas

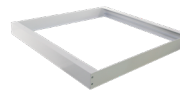


Junction Box (PLS-JB)
sold separately

Accessories (Sold Separately)



Suspension Kit
PLS-SUSKIT



Surface Mount Kit
PLS22-SK



Junction Box
PLS-JB



Recessed Frame Kit
PLS22-RFK

TECHNICAL DATA



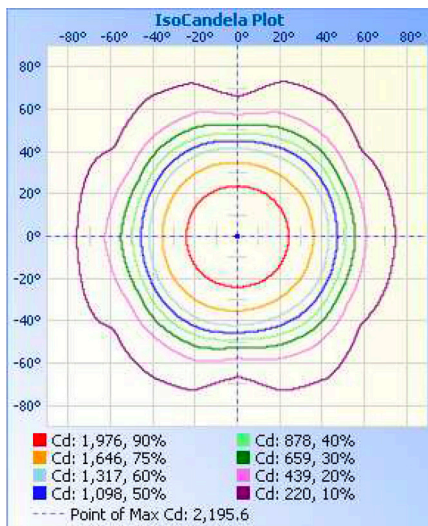
LIGHT SPECIFICATIONS

Lumens	5,000 lms @ 3000K
Efficacy	125 lm/w
CCT	Tunable (30K/35K/40K)
CRI	80
Dimmable	0-10V
Beam Angle	120°
L70 Life	50,000 hrs
Warranty	7-year

APPROVALS AND LISTINGS

ETL	5000444
DLC Premium	S-C4ADSV

ISOCANDELA PLOT



ILLUMINANCE AT A DISTANCE

	Center Beam fc	Beam Width	
17.0ft	7.60 fc	34.3 ft	35.9 ft
34.0ft	1.90 fc	68.7 ft	71.8 ft
51.0ft	0.84 fc	103.0 ft	107.7 ft
68.0ft	0.47 fc	137.4 ft	143.6 ft
85.0ft	0.30 fc	171.7 ft	179.5 ft
102.0ft	0.21 fc	206.1 ft	215.4 ft

■ Vert. Spread: 90.6°
■ Horiz. Spread: 93.1°

ELECTRICAL

Wattage	Selectable (20W/30W/40W)
Voltage	120-347V
Power Factor	0.9
THD	8%
Operating Temp	-20 to 40°C

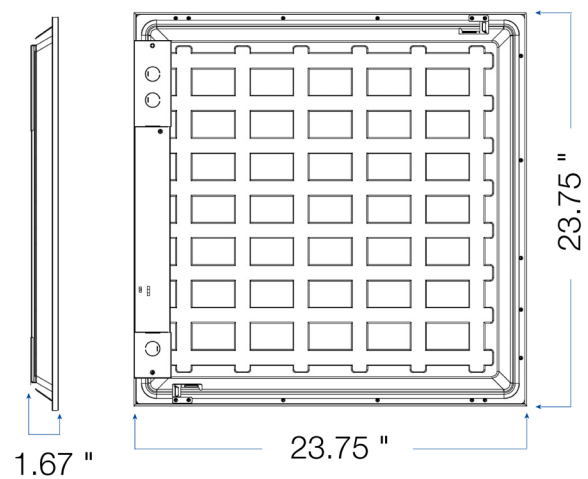
CONSTRUCTION

Housing	Metal
Finish	White
IP Rating	IP20
Product Dimensions	23.75 x 23.75 x 1.67 in
Carton Qty	4

ACCESSORIES (SOLD SEPARATELY)

PLS22-SK	Surface Mount Kit
PLS22-RFK	Recessed Frame Kit
PLS-SUSKIT	Suspension Kit
PLS-JB	Junction Box

DIMENSIONAL DRAWINGS (IN)



HEAD OFFICE: 8 - 540 Jamieson Pkwy, Cambridge, ON, N3C 0G5 | orders@csc-led.com | (519) 880 - 9833