

Solar Flood Light

10W | 5000K | 1,080 lm

Ideal for landscaping, patio, marina, dock or any outdoor applications that require solar illumination



Auto On / Off



IP65 Rated



User Replaceable Battery



Motion Sensor

Easy Installation
on Wall or Post

Large Capacity
Lithium Battery
insulated for cold climates



360° Adjustable
Yoke Mount

Dual Motion Sensors
180° detection up to 8 metres

135° Adjustable
Lighting Panel

Optional Accessories (sold separately)
Lithium Battery (SFL-BATT-7200)



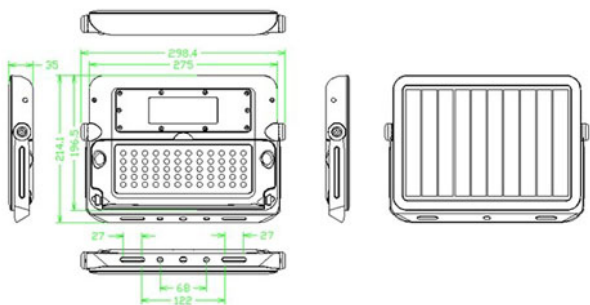
TECHNICAL DATA

SPECIFICATIONS

Wattage	10W
Lumens	1,080 lm
CCT	5000K
Beam Angle	90°
Detection Angle	180° / <8 metres
Battery	3.7V replaceable, 7200 mAh
Dimmable	No
Fixture Warranty	2-year
Battery Warranty	1-year
L70 Life	35,000 hrs
Operating Temp	-20° to 40°

NOT RECOMMENDED FOR SUSTAINED AMBIENT TEMPERATURES BELOW -20°C.

DIMENSIONS



CONSTRUCTION

Housing	Rigid Polymer
Solar Panel	6Wp, Poly Crystalline Silicon
LEDs	SMD2835*60PCS
Finish	Black
IP Rating	IP65
Unit Dimensions	300 x 215 x 35 mm
Carton Dimensions	558.8 x 317.5 x 243.84 mm
Carton Weight	29.7 lbs
Carton Qty	8

ACCESSORIES (SOLD SEPARATELY)

Lithium Battery	SFL-BATT-7200
-----------------	---------------

OPERATING MODES

On/Off: Manually turn the fixture On / Off as needed.

20% Brightness: Automatically turns on at dusk and remains on at 20% brightness

Full Brightness + Dim: Automatically turns on to full brightness when motion is detected within 8 metres. After 20 seconds without motion being detected, light will remain at 3% brightness.

Full Brightness + Off: Automatically turns on to full brightness when motion is detected within 8 metres. Turns off after 30 seconds without motion being detected.