

500W Sports Stadium Light, HV

Suitable for indoor/outdoor recreational facilities,
high mast applications, dock yards and more



Multiple drivers for
maximum redundancy

0-10V
dimmable

15 to 60° optics
available

High grade stainless
steel hardware

10K surge
suppression

Heavy duty flexible yoke
for precise positioning
(Slip fitter mount available)

Superior 3D
convection design

Optional visor, laser pen for precision aiming, and slipfit mount ordered separately.
See reverse for ordering details.

TECHNICAL DATA



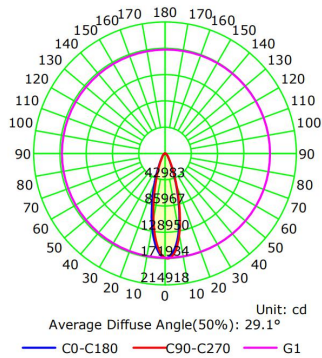
LIGHT SPECIFICATIONS

Lumens	68,685
Efficacy	129.83 lm/W
CCT	5000K
CRI	70
L70 Life	100,000 hrs
Dimmable	0-10V
Warranty	10-year

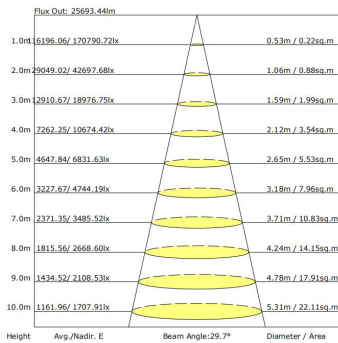
APPROVALS AND LISTINGS

cUL	E482965
DLC Premium	PL7CZHV54UUF

LUMINOUS INTENSITY DISTRIBUTION CURVE



AVERAGE ILLUMINANCE EFFECTIVE FIGURE



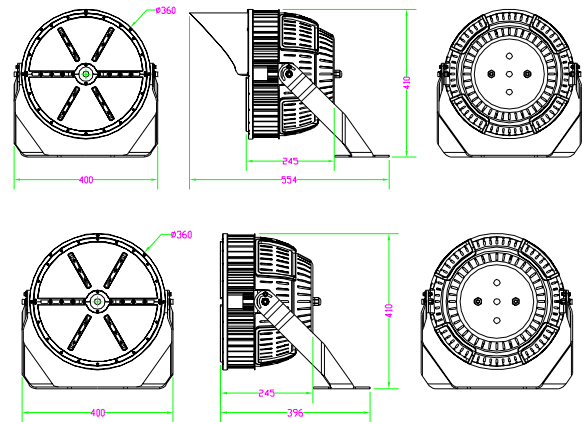
ELECTRICAL

Wattage	500W
Voltage	277-480V
Power Factor	0.90
THD	15%
Operating temp	-40° to 45°C

CONSTRUCTION

Housing	Aluminum
Finish	Black
IP Rating	IP66
Weight	37.69 lbs
Carton qty	1

DIMENSIONS



ACCESSORIES (Ordered Separately)

SP01-VISOR-A	Stadium Light Visor (Black)
SP01-LP	Laser Pen
SP01-SF-SM	Slipfit Mount (400W & 500W)



SP01-SF-SM



SP01-LP

Western Canada Warehouse: 121-1647 Broadway Street, Port Coquitlam, BC V3C 6P8 | ordersbc@csc-led.com