

# SP01B Sports Stadium Light

750W | 5000K | 120-347V

Suitable for indoor/outdoor recreational facilities  
such as gymnasiums, stadiums shipyards, airports, and high-mast lighting



0-10V  
Dimmable

Complete with  
Yoke Mount  
Slip Fitter available  
(sold separately)

Complete with  
20° Optic Lens  
60° optics lens available  
(sold separately)

Complete with 1m  
Power Cord

Instant Start  
with no flickering  
or humming

10kV Surge  
Protection



Optional Accessories (Sold Separately):  
Visor (SP01-VISOR-B), Laser Pen (SP01-LP),  
60° Optics (SP01B-750W-60D), Slip Fitter (SP01-SF-LG)



SP01-VISOR-B



SP01-LP



SP01B-750W-60D



SP01-SF-LG

## TECHNICAL DATA



### LIGHT SPECIFICATIONS

Lumens	99,861 lm
Efficacy	134.07 lm/W
CCT	5000K
CRI	73
Beam Angle	20°
Dimmable	0-10V
L70 Life	50,000 hrs
Warranty	5 year

### APPROVALS AND LISTINGS

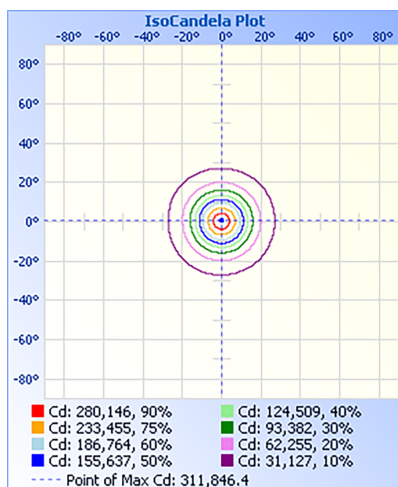
cUL	E482965
DLC	PLLBSVAFCUJU

### ILLUMINANCE AT A DISTANCE

	Center Beam fc	Beam Width	
17.0ft	<b>1,075.2 fc</b>	<b>6.7 ft</b>	<b>6.7 ft</b>
34.0ft	<b>268.8 fc</b>	<b>13.4 ft</b>	<b>13.5 ft</b>
51.0ft	<b>119.5 fc</b>	<b>20.1 ft</b>	<b>20.2 ft</b>
68.0ft	<b>67.2 fc</b>	<b>26.9 ft</b>	<b>26.9 ft</b>
85.0ft	<b>43.0 fc</b>	<b>33.6 ft</b>	<b>33.6 ft</b>
102.0ft	<b>29.9 fc</b>	<b>40.3 ft</b>	<b>40.4 ft</b>

■ Vert. Spread: 22.3°  
■ Horiz. Spread: 22.4°

### ISOCANDELA PLOT



### ELECTRICAL

Wattage	750W
Voltage	120-347V
Power Factor	>0.9
THD	<15%
Operating Temp	-40 to 45°C

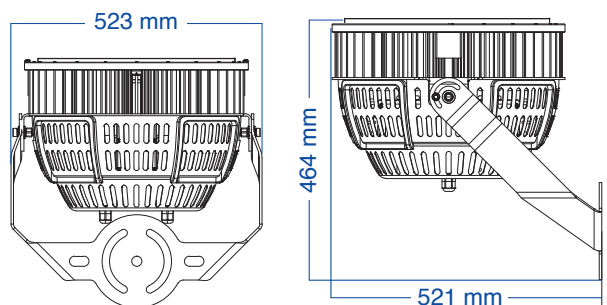
### CONSTRUCTION

Housing	Aluminum
Lens	Polycarbonate
Finish	Black
EPA	1.49 ft <sup>2</sup>
IP Rating	IP65
Product Dimensions	464 x 523 x 521 mm
Product Weight	27.8 kgs
Carton Qty	1
Carton Dimensions	630 x 570 x 565 mm

### ACCESSORIES (SOLD SEPARATELY)

Visor	SP01-VISOR-B
Laser Pen	SP01-LP
60° Optics	SP01B-750W-60D
Slip Fitter	SP01-SF-LG

### DIMENSIONS



Western Canada Warehouse: 121-1647 Broadway Street, Port Coquitlam, BC V3C 6P8 | [ordersbc@csc-led.com](mailto:ordersbc@csc-led.com)