

Dual-Head Security Light

20W | 5000K | 120V

With Motion Sensor

3 Operating Modes: On/Off; Motion On/Off; Dusk-to-Dawn

Lampshield Provides
Bulb Protection

Adjustable Arm for
Aiming Motion Sensor

Swivel Arm Design
Allows Directional Light



180° Motion
Detection Zone

All-metal Housing
for Rugged Durability

Also Available in White: (SS-HG70-20W)



TECHNICAL DATA



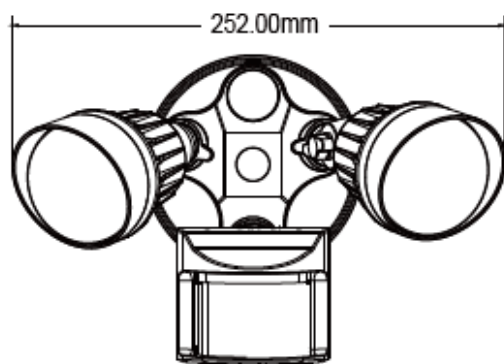
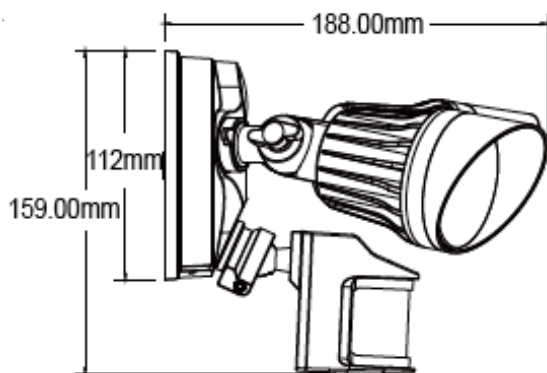
LIGHT SPECIFICATIONS

Lumens	1,815
Efficacy	91 lm/W
CCT	5000K
CRI	80
Rated hours	50,000
Warranty	3-year

APPROVALS AND LISTINGS

CETL	5002143
------	---------

DIMENSIONS



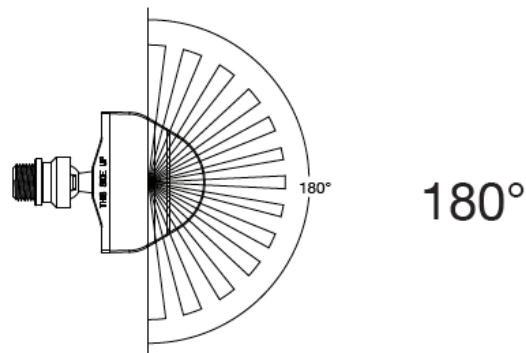
ELECTRICAL

Wattage	20W
Voltage	120V
Power factor	0.90
THD	13%
Operating temp	-30 to 40°C

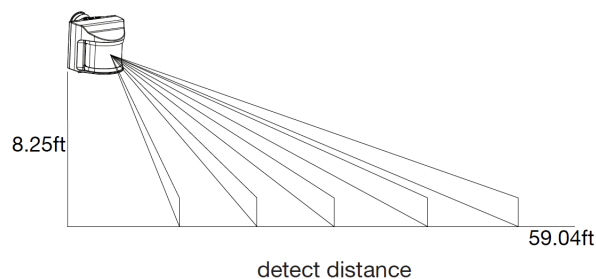
CONSTRUCTION

Housing	Aluminum
Finish	White
IP rating	IP65
Weight	2 lbs
Carton qty	8

DETECTION ZONE



MOTION DETECTION



HEAD OFFICE: 8 - 540 Jamieson Pkwy, Cambridge, ON, N3C 0G5 | orders@csc-led.com | (519) 880 - 9833