

Suitable for Dry Locations

DIMENSIONS AND SAFETY NOTICES:

DIMENSIONS

| L (mm) | W (mm) | H (mm) | LF (mm) |
|-----------|-----------|-----------|------------|
| 598 | 66.5 | 68.5 | 332 |
| 1131 | 66.5 | 68.5 | 870 |



IMPORTANT: SAFETY NOTICES

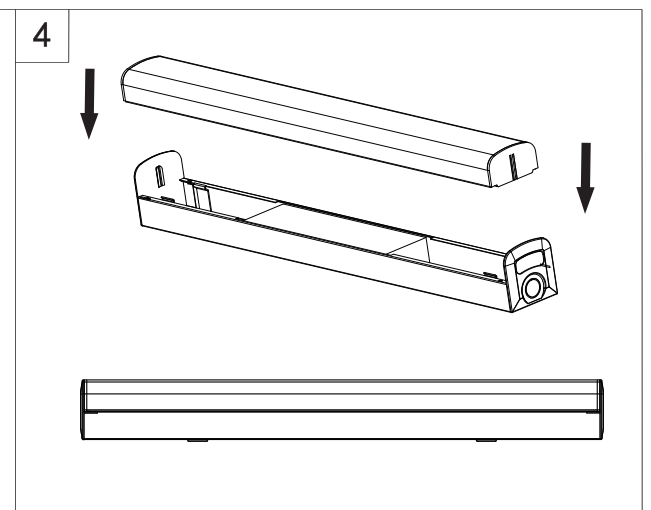
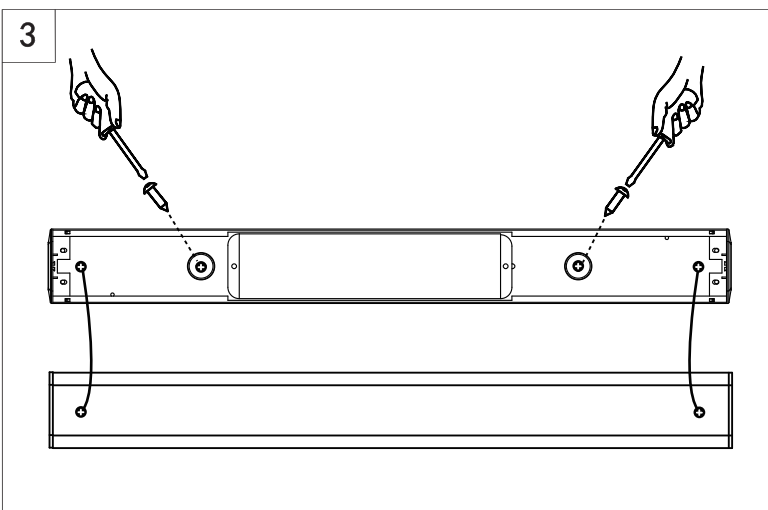
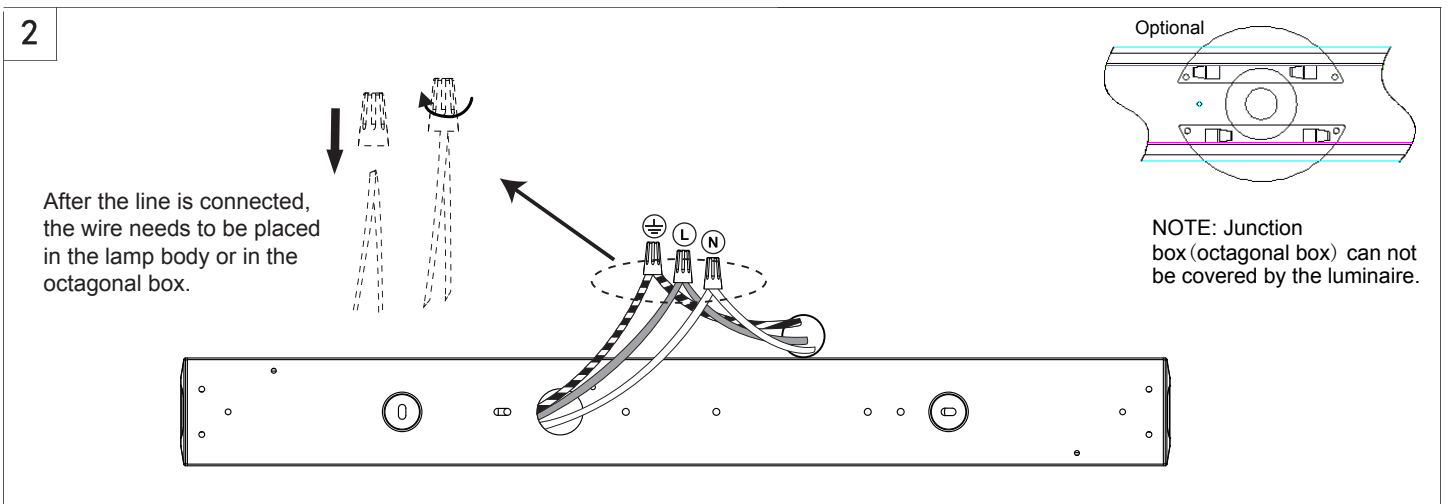
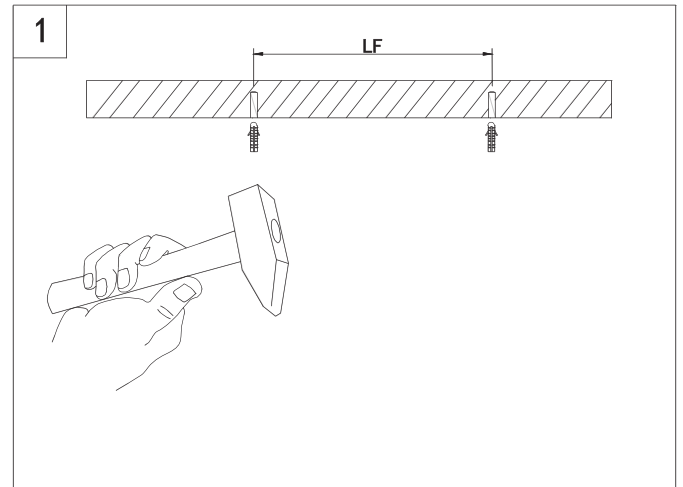
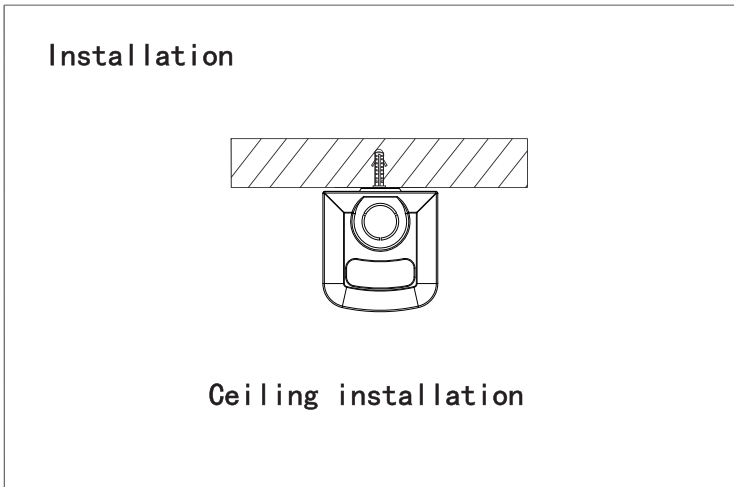


1. Please check and ensure the product is not damaged before use. If there is any damage, please do not install or use the fixture.
2. Please keep children away from the product and packaging materials.
3. Packaging materials may pose a safety hazard / suffocation risk. Keep all packaging materials away from children.
4. Installation must be completed by a qualified professional.
5. Do not cover any portion of the fixture.
6. Ensure power cord is long enough to avoid too much tension on the power cord ties when mounting connection of the light fittings.
7. Avoid looking straight into the LED light-emitting surface for extended periods of time.
8. Turn off electrical power at the fuse or circuit breaker box before wiring fixture to the power supply.
9. Verify the supply voltage is correct by comparing it to the label on the fixture.
10. Turn off the power when performing any maintenance.
11. Turn off power before cleaning fixture. Use a dry cloth to clean.

Wiring & Installation:

CAUTION: Turn off the electrical power at the fuse or circuit breaker box before wiring the fixture to the power supply.

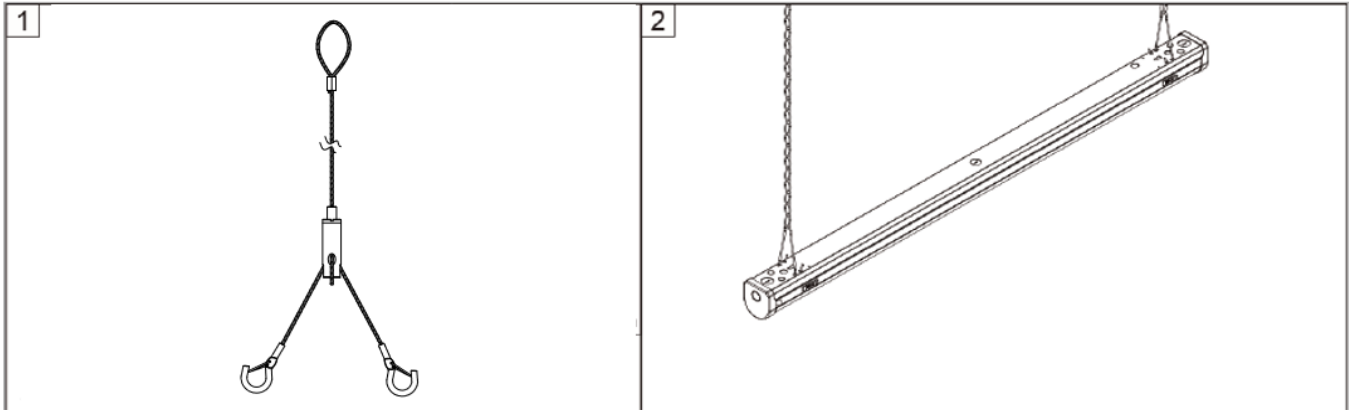
Ceiling Installation



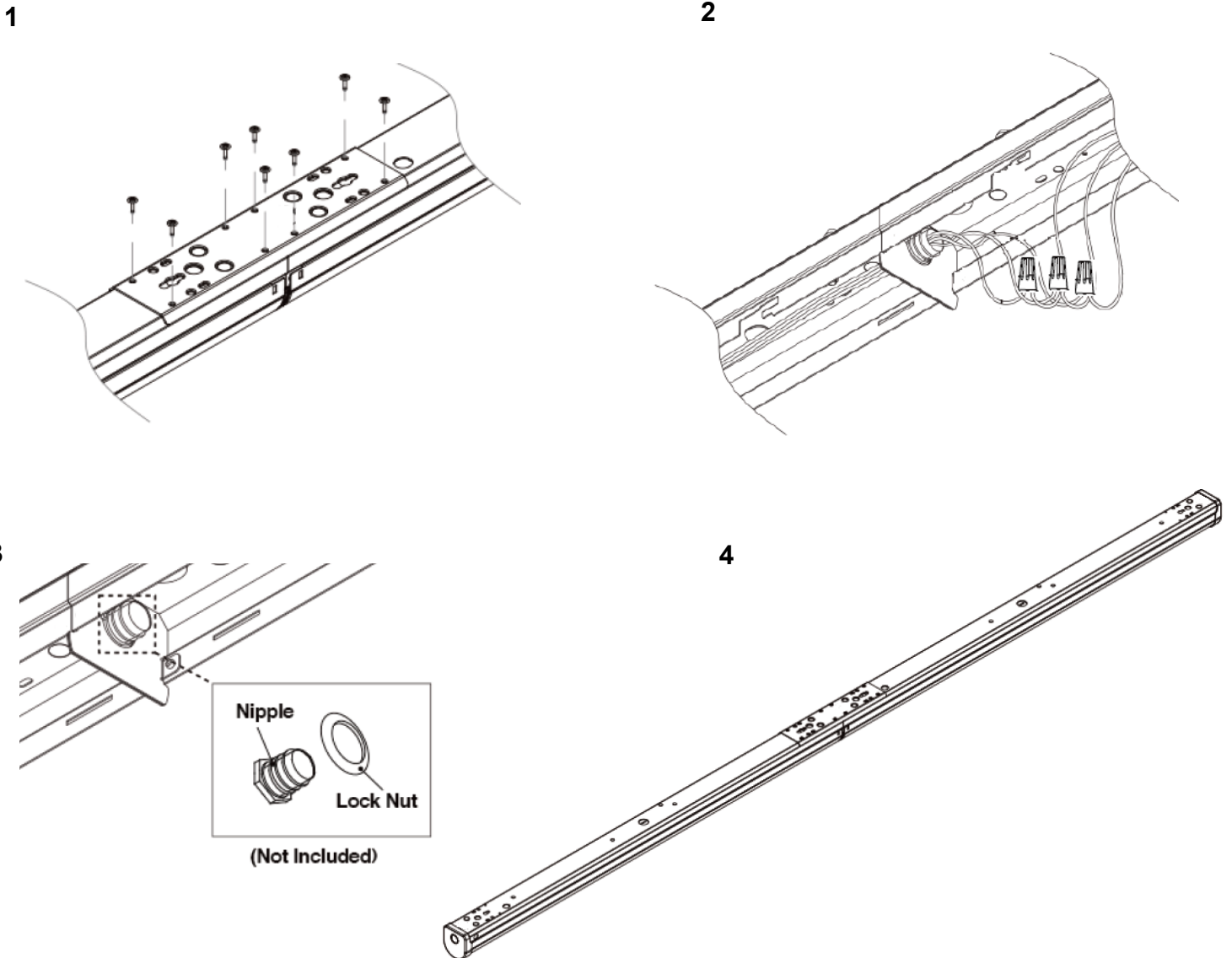
Wiring and Installation:

CAUTION: Turn off the electrical power at the fuse or circuit breaker box before wiring fixture to the power supply.

SUSPENDED



Continuous Row Mount - Surface Mount Application



Wiring and Installation:

CAUTION: Turn off the electrical power at the fuse or circuit breaker box before wiring fixture to the power supply.

Wiring

0-10V DIMMABLE WIRING

Universal voltage driver permits operation at 120V thru 277V, 50 or 60 Hz. 0-10V control wires must be rated for 300V minimum. For 0-10V Dimming, follow the wiring directions as in fig. 1.

1. Connect the black fixture lead to the (+) LINE supply lead.
2. Connect the white fixture lead to the (-) COMMON supply lead.
3. Connect the GROUND wire from fixture to supply ground. Do NOT connect the GROUND of the dimming fixture to the output.
4. Connect the violet fixture lead to the (V+) DIM lead.
5. Connect the gray fixture lead to the (V-) DIM lead.

