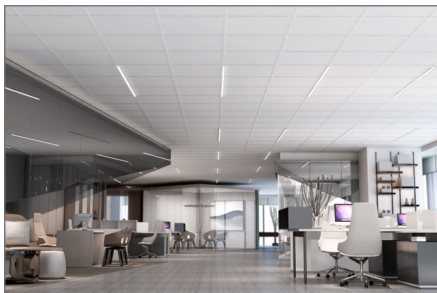


T-Bar Integrated Luminaire

20W | 4000K | 4ft

Ideal for office buildings, medical, health and educational buildings, hotels, airports and more. Create your own custom look.

Replaces Standard T-BAR Cross Tees.



Seamless Integration

into suspended ceilings allows unique and elegant architectural lighting designs

Slim Profile
0.48" thickness

15/16"



Frosted Lens and 6 ft Power Cable with RJ45 Jack

1 power supply (TBAR-PS-60W) required for 3 pieces of T-Bar.
Optional 9/16" Clear Diffuser and Lens Diffuser available (sold separately).



Power Supply
TBAR-PS-60W

TECHNICAL DATA

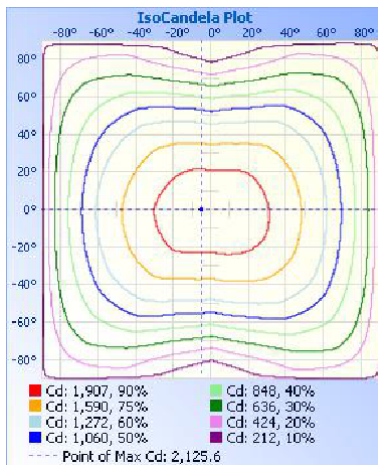
LIGHT SPECIFICATIONS

Lumens	2,600 lm
Efficacy	130 lm/W
CCT	4000K
CRI	80
Beam angle	120°
Dimmable	0-10V
L70 Life	50,000 hrs
Warranty	5-year

APPROVALS AND LISTINGS

cUL	E491106
-----	---------

ISOCANDELA PLOT



ILLUMINANCE AT A DISTANCE

	Illuminance at a Distance	
	Center Beam fc	Beam Width
3.3ft	194 fc	9.1 ft 17.5 ft
6.7ft	47.2 fc	18.6 ft 35.6 ft
10.0ft	21.2 fc	27.7 ft 53.1 ft
13.3ft	12.0 fc	36.9 ft 70.6 ft
16.7ft	7.59 fc	46.3 ft 88.6 ft
20.0ft	5.29 fc	55.4 ft 106.1 ft

■ Vert. Spread: 108.4°
■ Horiz. Spread: 138.7°

ELECTRICAL

Wattage	20W
Voltage	120-277V
Power factor	0.9
THD	11.08 %

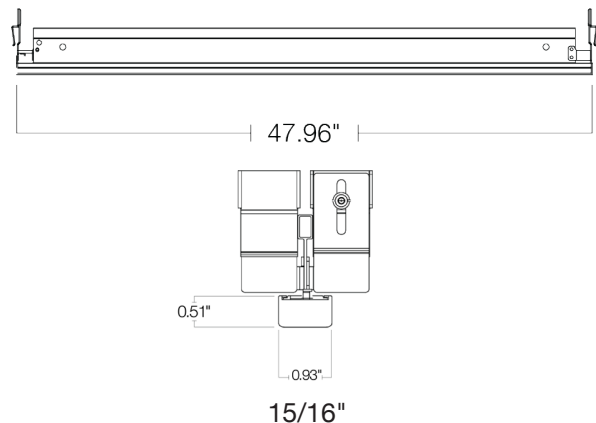
CONSTRUCTION

Housing	Aluminum
Finish	Silver
Unit gross weight	2.53 lbs
Carton weight	20.7 kg
Carton dimensions	125cm x 54cm x 19.5cm

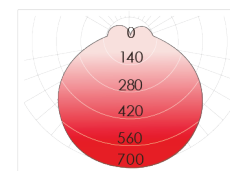
ACCESSORIES (Ordered Separately)

Power Supply	TBAR-PS-60W
--------------	-------------

DIMENSIONS



LUMINOUS INTENSITY DISTRIBUTION DIAGRAM



4FT (15/16")
 Average Beam
 Angle (50%):
 123.3°