

# 30W Architectural Wall Pack

DLC listed LED wall pack features high-end style with super bright, energy efficient LEDs  
Ideal for building entrances, multi-use facilities, apartment buildings, institutions, schools,  
stairways and loading docks



## TECHNICAL DATA



### LIGHT SPECIFICATIONS

|             |             |
|-------------|-------------|
| Lumens      | 3,239       |
| Efficacy    | 116.44 lm/W |
| CCT         | 4000K       |
| Beam angle  | 90 x 20     |
| CRI         | 83.3        |
| Dimmable    | No          |
| Rated hours | 50,000      |
| Warranty    | 10-year     |

### APPROVALS AND LISTINGS

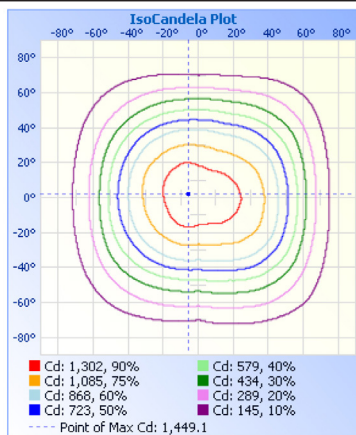
|     |          |
|-----|----------|
| cUL | E482965  |
| DLC | PQ6BEWE7 |

### ILLUMINANCE AT A DISTANCE

|         | Center Beam fc | Beam Width        |
|---------|----------------|-------------------|
| 17.0ft  | 4.92 fc        | 31.6 ft 38.8 ft   |
| 34.0ft  | 1.23 fc        | 63.3 ft 77.5 ft   |
| 51.0ft  | 0.55 fc        | 94.9 ft 116.3 ft  |
| 68.0ft  | 0.31 fc        | 126.5 ft 155.1 ft |
| 85.0ft  | 0.20 fc        | 158.2 ft 193.9 ft |
| 102.0ft | 0.14 fc        | 189.8 ft 232.6 ft |

■ Vert. Spread: 85.9°  
■ Horiz. Spread: 97.5°

### ILLUMINANCE AT A DISTANCE



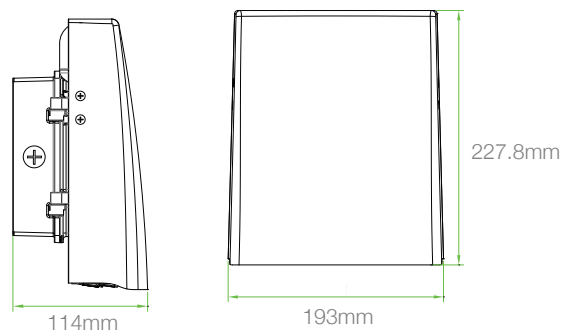
### ELECTRICAL

|                |             |
|----------------|-------------|
| Wattage        | 30W         |
| Voltage        | 120-277V    |
| Power factor   | 0.90        |
| THD            | 11.73%      |
| Operating temp | -40 to 40°C |

### CONSTRUCTION

|            |                          |
|------------|--------------------------|
| Housing    | Aluminum, tempered glass |
| Finish     | Multi-coat, powder       |
| Colour     | White                    |
| Weight     | 4.3 lbs.                 |
| IP rating  | IP65                     |
| Carton qty | 4                        |

### DIMENSIONS



Also available in 347V

Order # AWP02-30W-40K-WH-347V