

220W Flood Light



Ideal for outdoor applications such as parking lots, construction sites, storage and rail yards, industrial locations, marinas, billboard/sign illumination and more



TECHNICAL DATA



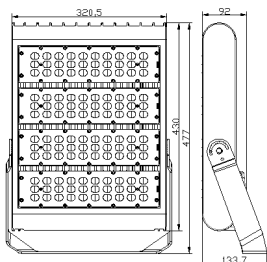
LIGHT SPECIFICATIONS

Lumens	26,731
Efficacy	122 lm/W
CCT	5000K
Beam angle	90 x 120°
CRI	83.5
Dimmable	0-10V dimmable
Rated hours	50,000
Warranty	10-year

APPROVALS AND LISTINGS

cUL	E352127
DLC	PEXU42RR

DIMENSIONS



ILLUMINANCE AT A DISTANCE

Distance (ft)	Illuminance at a Distance	
	Center Beam fc	Beam Width
17.0ft	31.4 fc	33.4 ft 64.6 ft
34.0ft	7.84 fc	66.8 ft 129.2 ft
51.0ft	3.48 fc	100.2 ft 193.8 ft
68.0ft	1.96 fc	133.5 ft 258.4 ft
85.0ft	1.25 fc	166.9 ft 323.0 ft
102.0ft	0.87 fc	200.3 ft 387.6 ft

■ Vert. Spread: 89.0°
■ Horiz. Spread: 124.5°

ELECTRICAL

Wattage	220W
Voltage	120-277V
Power factor	0.94
THD	11.2
Operating temp	-40° to 55°C

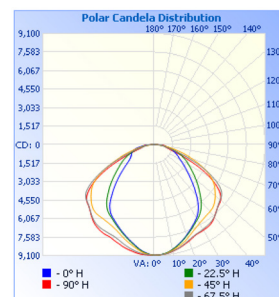
CONSTRUCTION

Housing	Aluminum
Finish	6mm, powder coat
Colour	Matte black
IP rating	IP65
Weight	21.1 - 22.1 lbs
Carton qty	1

NOTES

1m-cUL listed cable included

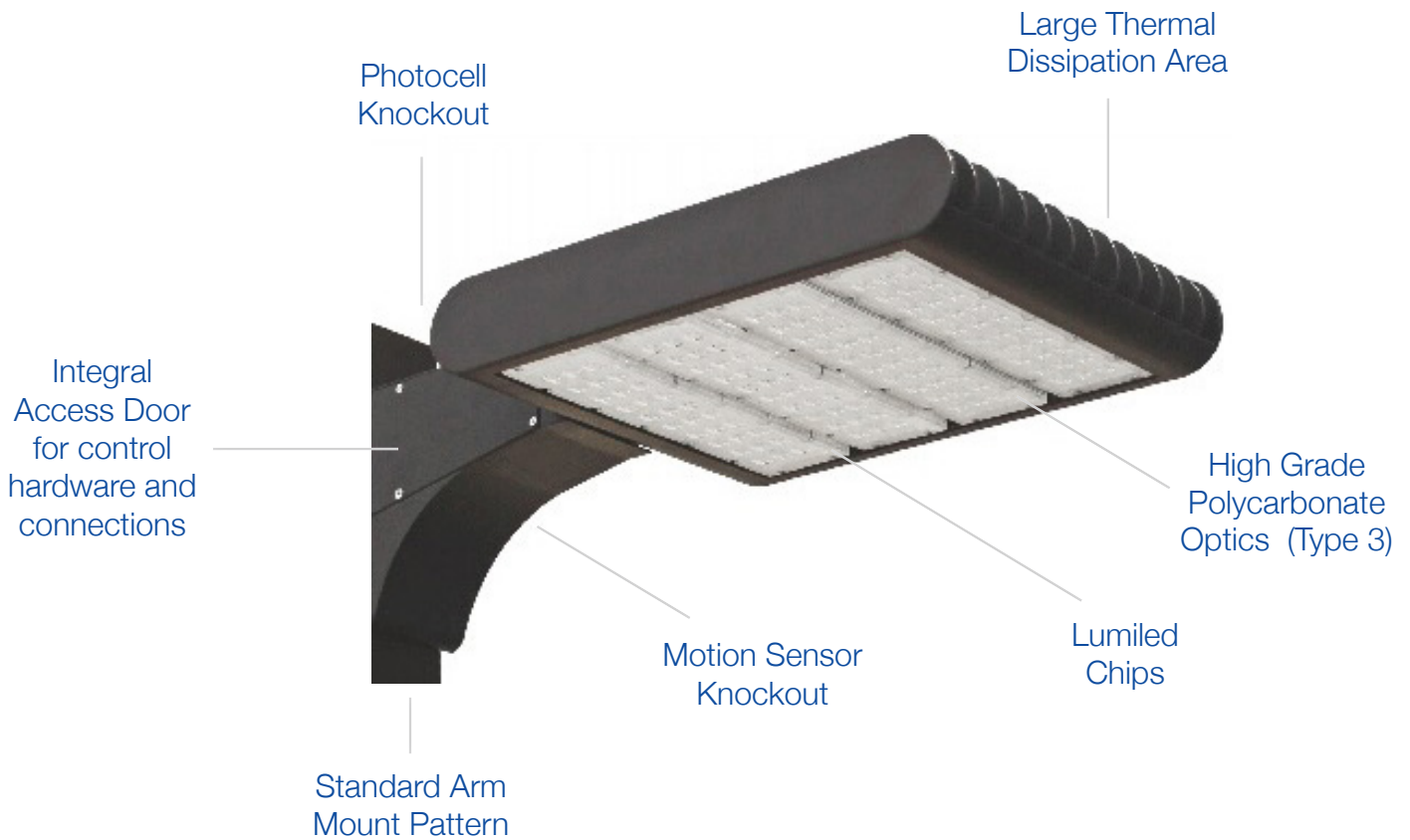
PHOTOMETRIC SPECS



Product #

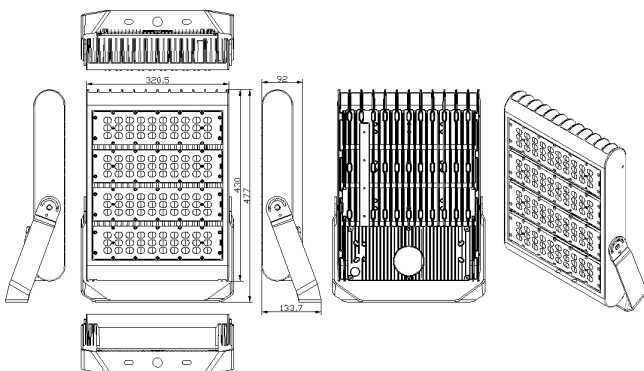
FL01-220W-HA

WITH HORIZONTAL ARM

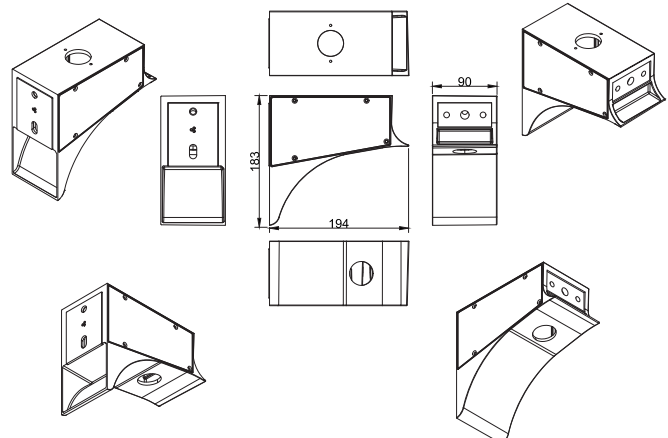


DIMENSIONS

Fixture



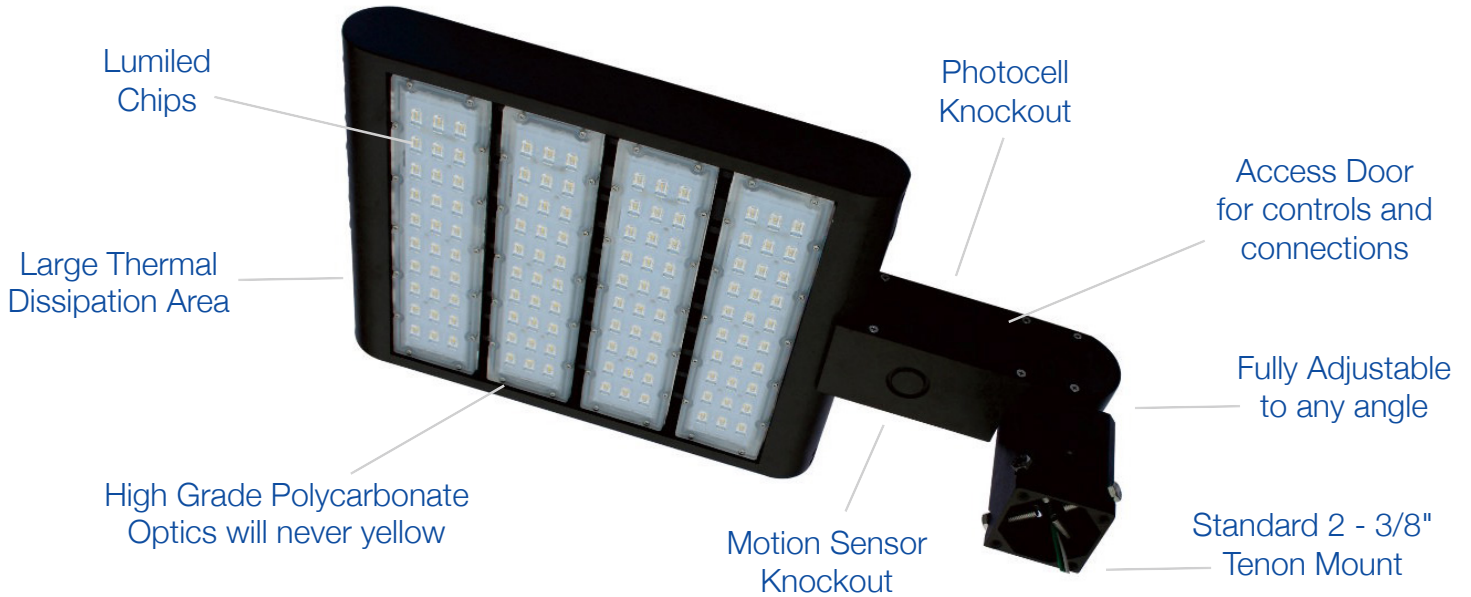
Horizontal Arm



Product #

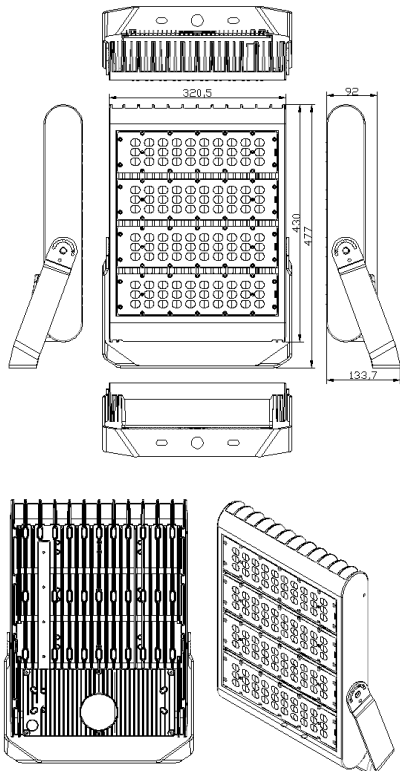
FL01-220W-SF

WITH SLIP FITTER



DIMENSIONS

Fixture



Slip Fitter

