

300W Flood Light



Ideal for outdoor applications such as parking lots, construction sites, storage and rail yards, industrial locations, marinas, billboard/sign illumination and more



TECHNICAL DATA



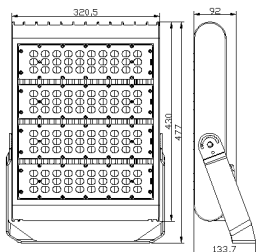
LIGHT SPECIFICATIONS

Lumens	38,122
Efficacy	124 lm/W
CCT	5000K
Beam angle	90 x 120°
CRI	82.4
Dimmable	0-10V dimmable
Rated hours	50,000
Warranty	10-year

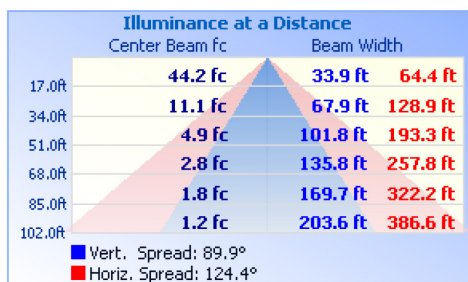
APPROVALS AND LISTINGS

cUL	E352127
DLC	PXRK2PTC

DIMENSIONS



ILLUMINANCE AT A DISTANCE



ELECTRICAL

Wattage	300W
Voltage	120-277V
Power factor	0.93
THD	7.85
Operating temp	-40° to 55°C

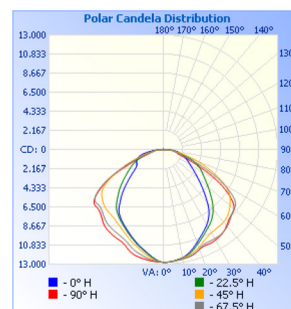
CONSTRUCTION

Housing	Aluminum
Finish	6mm, powder coat
Colour	Matte black
IP rating	IP65
Weight	26.23 - 27.23 lbs
Carton qty	1

NOTES

1m-cUL listed cable included

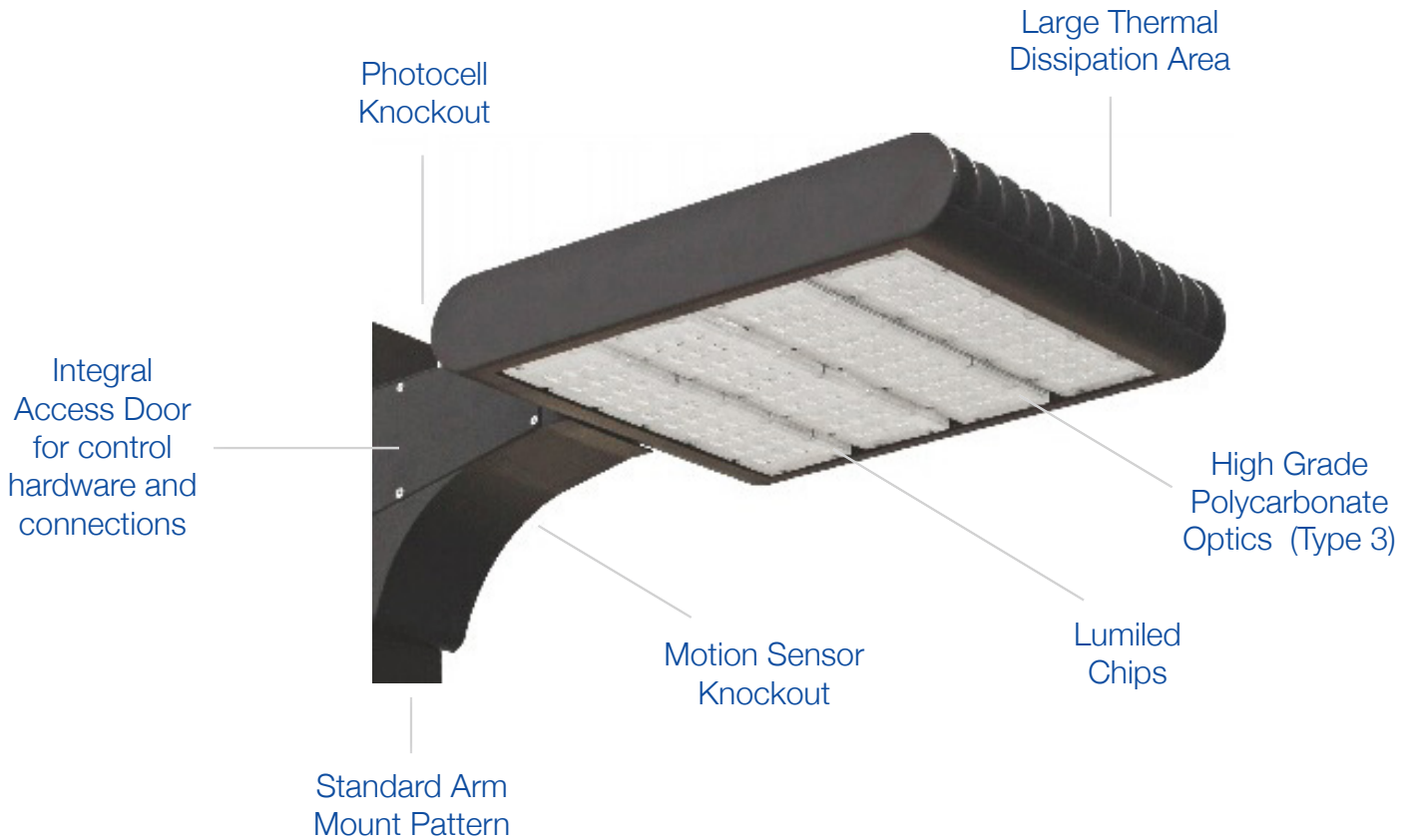
PHOTOMETRIC SPECS



Product #

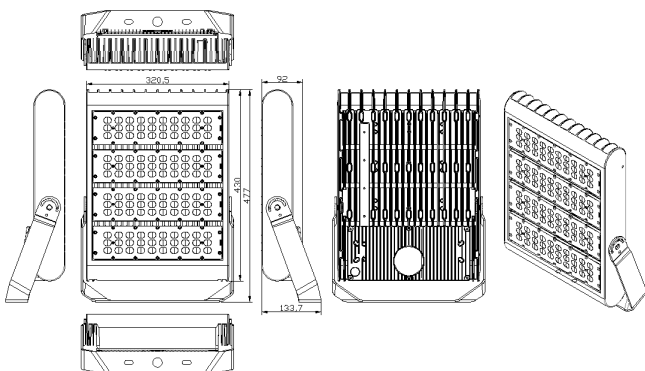
FL01-300W-HA

WITH HORIZONTAL ARM

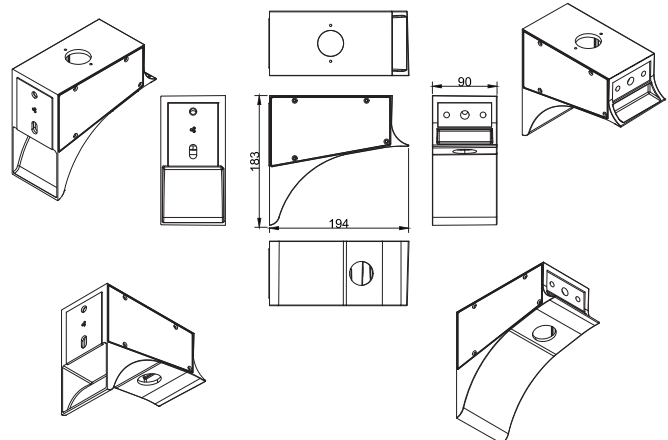


DIMENSIONS

Fixture



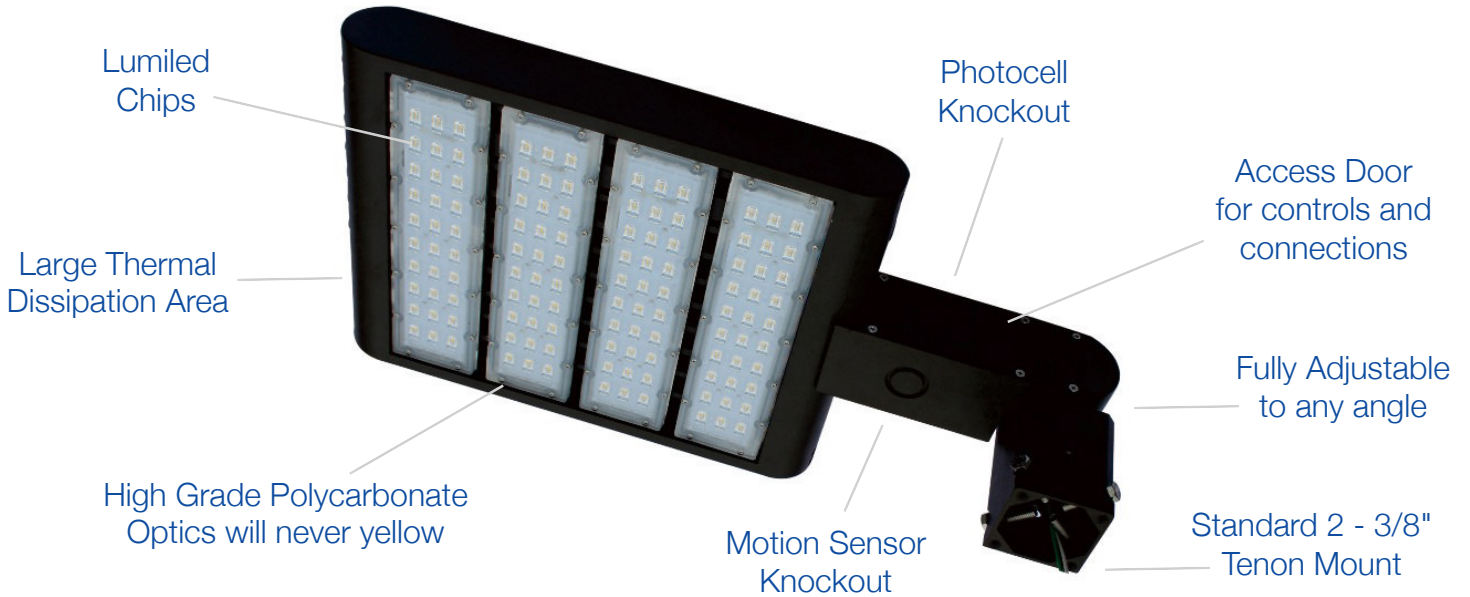
Horizontal Arm



Product #

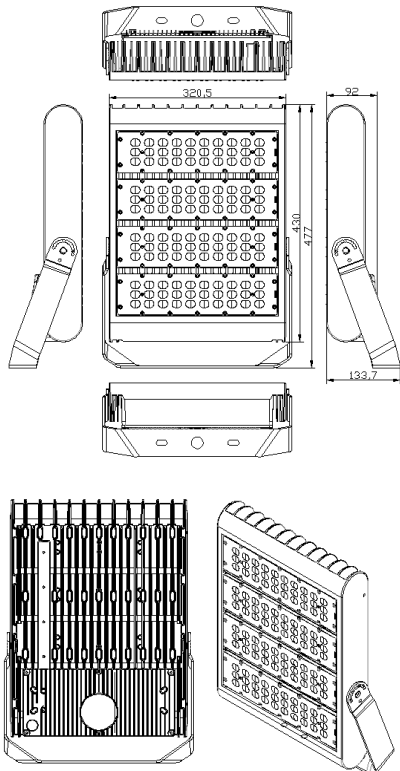
FL01-300W-SF

WITH SLIP FITTER



DIMENSIONS

Fixture



Slip Fitter

