

300W Flood Light



Ideal for outdoor applications such as parking lots, construction sites, storage and rail yards, industrial locations, marinas, billboard/sign illumination and more



TECHNICAL DATA



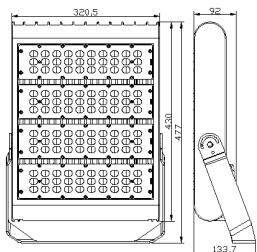
LIGHT SPECIFICATIONS

Lumens	36,728
Efficacy	127.84 lm/W
CCT	5000K
Beam angle	90 x 120°
CRI	83
Dimmable	0-10V dimmable
Rated hours	50,000
Warranty	10-year

APPROVALS AND LISTINGS

cUL	E352127
DLC	PJGQQ7VK

DIMENSIONS



ILLUMINANCE AT A DISTANCE

Distance (ft)	Illuminance at a Distance	
	Center Beam fc	Beam Width
17.0ft	44.2 fc	33.9 ft 64.4 ft
34.0ft	11.1 fc	67.9 ft 128.9 ft
51.0ft	4.9 fc	101.8 ft 193.3 ft
68.0ft	2.8 fc	135.8 ft 257.8 ft
85.0ft	1.8 fc	169.7 ft 322.2 ft
102.0ft	1.2 fc	203.6 ft 386.6 ft

■ Vert. Spread: 89.9°
■ Horiz. Spread: 124.4°

ELECTRICAL

Wattage	300W
Voltage	277-480V
Power factor	0.96
THD	7.85
Operating temp	-40° to 55°C

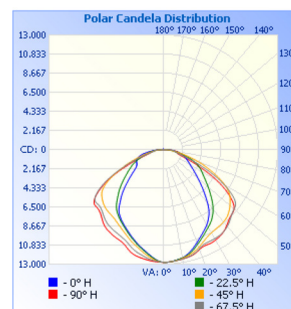
CONSTRUCTION

Housing	Aluminum
Finish	6mm, powder coat
Colour	Matte black
IP rating	IP65
Weight	26.23 - 27.23 lbs
Carton qty	1

NOTES

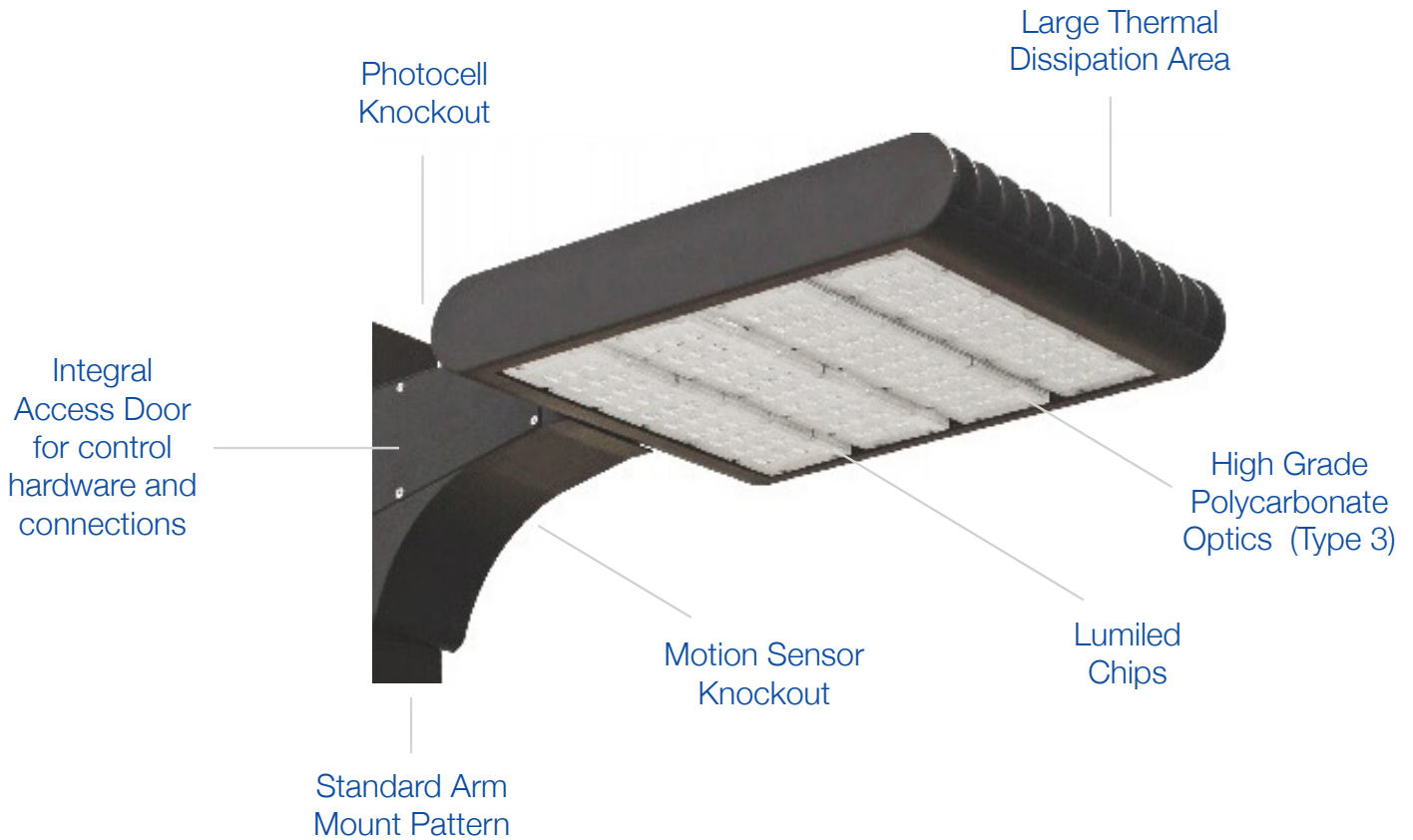
1m-cUL listed cable included

PHOTOMETRIC SPECS



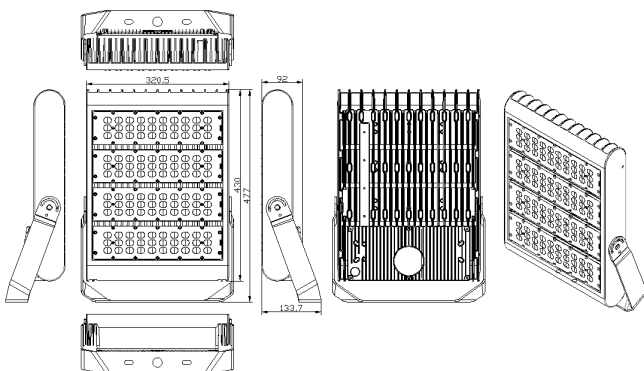
Product # FL01H-300W-HA

WITH HORIZONTAL ARM

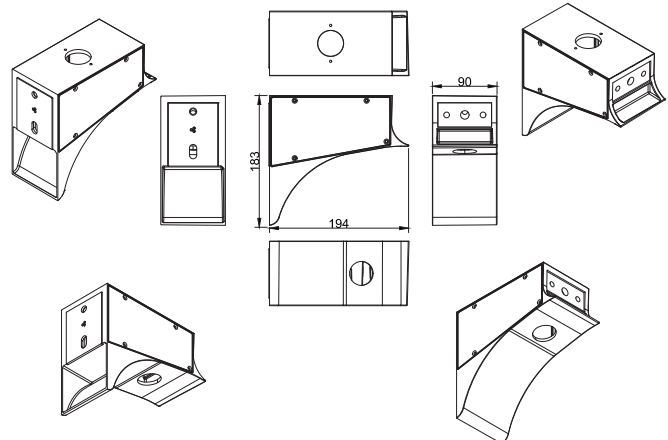


DIMENSIONS

Fixture

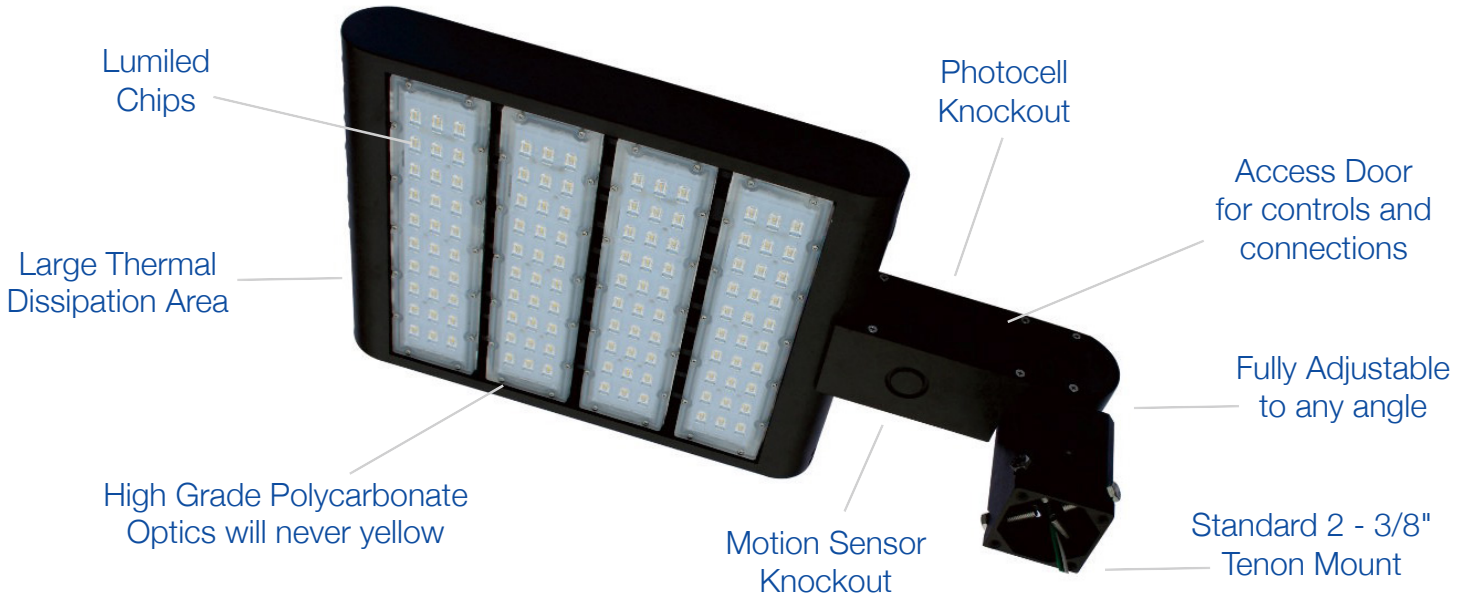


Horizontal Arm



Product # FL01H-300W-SF

WITH SLIP FITTER



DIMENSIONS

