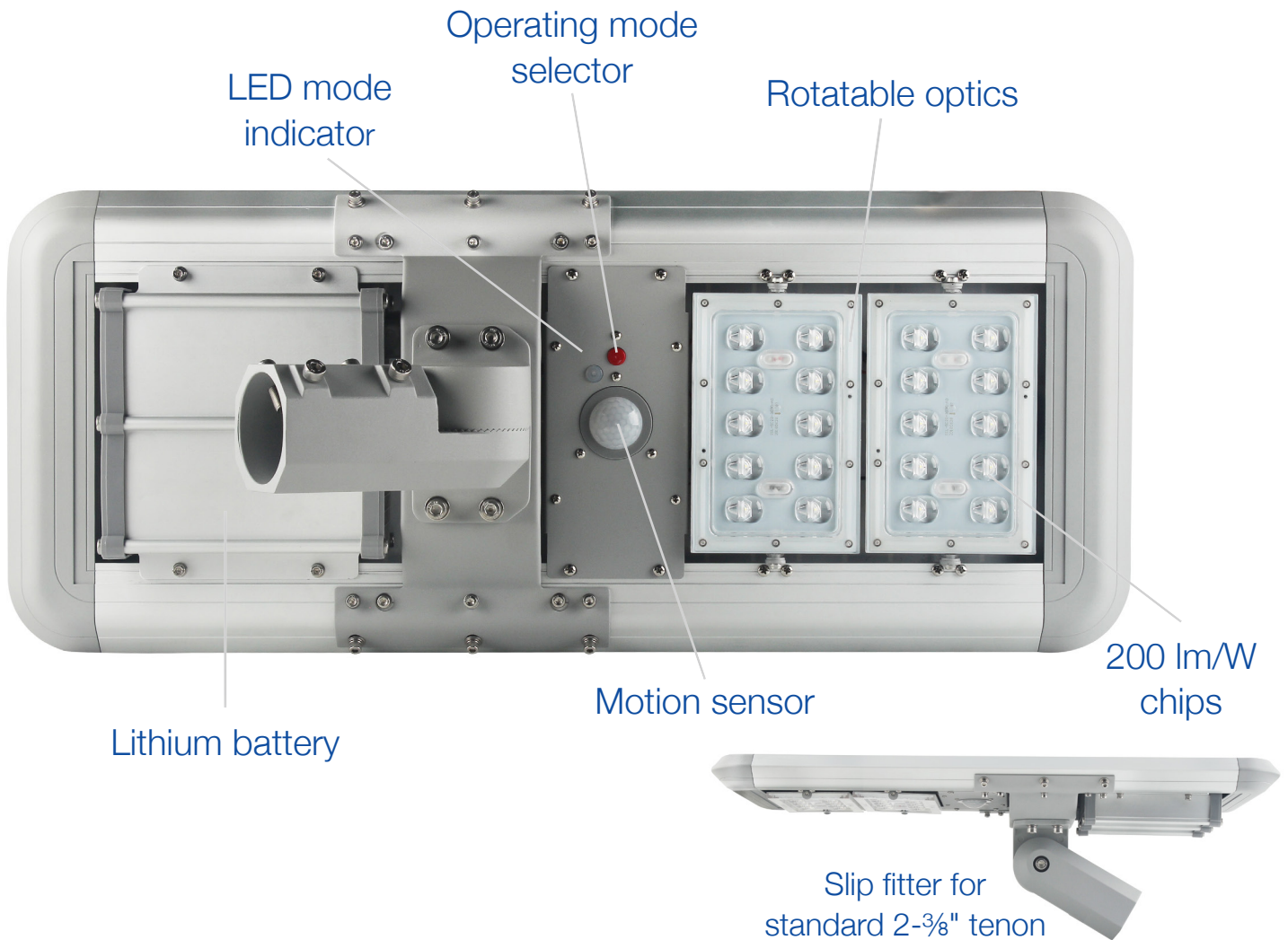


20W Solar Street / Area Light

Ideal for roadway lighting, parks, parking lots, farms, yards and marinas
3 programmable working profiles



Built-in PV charge controller

Mount available (ordered separately): SSL-MNT

Remote available (ordered separately): SSL-REMOTE

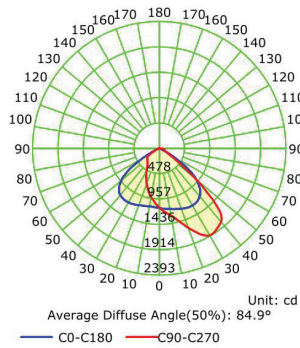


TECHNICAL DATA

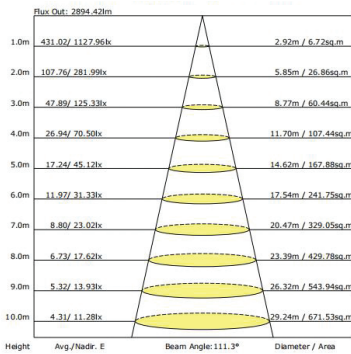
LIGHT SPECIFICATIONS

Lumens	4,000 lm
Efficacy	200 lm/W
CCT	5000K
CRI	>70
L70 Life	50,000 hrs
Warranty	3-year

LUMINOUS INTENSITY DISTRIBUTION CURVE



AVERAGE ILLUMINANCE EFFECTIVE FIGURE



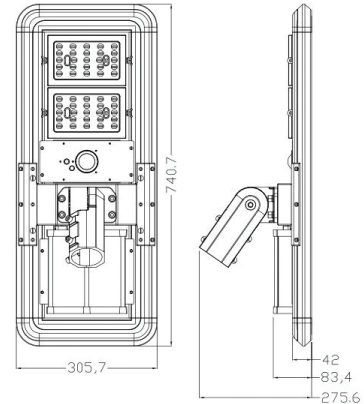
ELECTRICAL

Wattage	20W
Operating temp	-20° to 60°C

CONSTRUCTION

Housing	Aluminum
Finish	Silver
IP rating	IP66
EPA rating (at 30° tilt)	1.52 ft ²
Weight	17.8 lbs
Carton qty	1

DIMENSIONS



3 PROGRAMMABLE PROFILES

M1: 5H 100% brightness, then 5H 30% brightness + PIR (100%brightness maintained for 30 seconds after motion event), then 70% brightness to dawn

M2: Output is constant at 70% to dawn

M3: 30% brightness + PIR (100% brightness maintained for 30 seconds after motion event) to dawn

Wattage	Battery Capacity	Full Power Run	Max Run	Charge time	PV Panel size
20W	154 WHr	8 hrs	28 hrs	7.5 hrs	30W

NOTES:

- Full Power Run time is based on a fully charged battery operating in Mode 1.
- Max run time is based on a fully charged battery operating in Mode 3 with a reasonable amount of motion events.
- Charge time assumes direct sun exposure.