

## CWP02 Series Wall Packs

Ideal for exterior security and entryway lighting



120-277V only

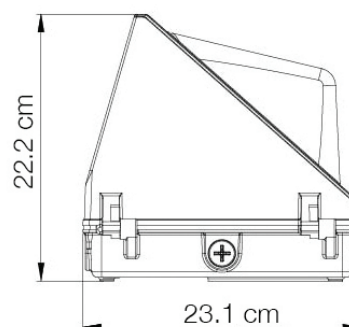
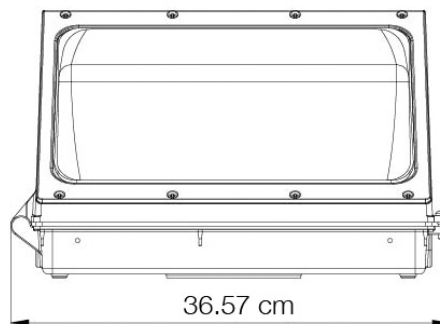


## CWP02 Series Wall Packs

Ideal for exterior security and entryway lighting



PRODUCT #	WATTS	VOLTAGE	CCT	LUMENS
CWP02-40W-40K	40W	120-277V	4000K	5,627
CWP02-40W-50K	40W	120-277V	5000K	5,740
CWP02-60W-40K	60W	120-277V	4000K	8,370
CWP02-80W-40K	80W	120-277V	4000K	11,424
CWP02-80W-50K	80W	120-277V	5000K	11,652
CWP02-120W-50K	120W	120-277V	5000K	17,453



Western Canada Warehouse: 121-1647 Broadway Street, Port Coquitlam, BC V3C 6P8 | [ordersbc@csc-led.com](mailto:ordersbc@csc-led.com)

8-540 Jamieson Parkway, Cambridge, ON Canada N3C 0G5  
P: 519.880.9833 888.900.9885 E: [info@csc-led.com](mailto:info@csc-led.com) [orders@csc-led.com](mailto:orders@csc-led.com)