

CDL02 Commercial Downlight Engine

20W | Colour Tunable | 120-347V

Achieve your custom look with these sleek and easy-to-install, colour tunable, commercial downlights



120-347V Universal Driver
with 4kV surge protection

Recessed Matte Diffuser
when paired with reflector



55° Beam Angle

Colour Tunable
3000K / 4000K / 5000K

Built-in Junction Box

Twist and Lock
for easy, tool-free
reflector installation

Pictured with CDL02-4-R
(sold separately)

Optional Accessories (sold separately):

4-inch Round Reflector, 6-inch Round Reflector, 8-inch Round Reflector, 4-inch Round Reflector (Wall Washing), 4-inch Square Reflector



CDL02-4-R



CDL02-6-R



CDL02-8-R



CDL02-R-WW



CDL02-4-S

TECHNICAL DATA



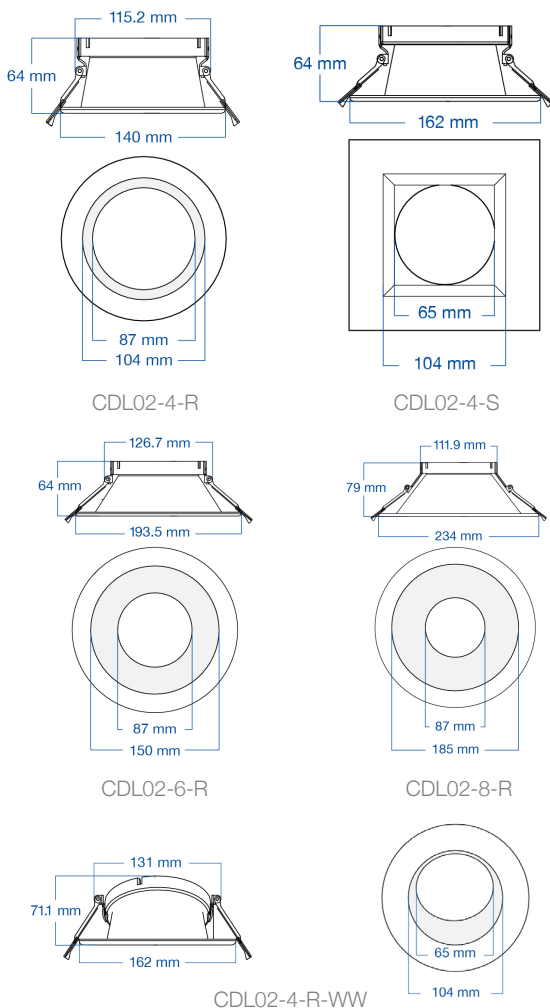
LIGHT SPECIFICATIONS

Lumens	1,400 lm
Efficacy	70 lm/W
CCT	Tunable (30K/40K/50K)
CRI	>80
Beam Angle	55°
Dimmable	0-10V
L70 Life	>36,000 hrs
Warranty	5-year

APPROVALS AND LISTINGS

cUL	E491106
-----	---------

REFLECTOR DIMENSIONS



ELECTRICAL

Wattage	20W
Voltage	120-347V
Power Factor	>0.9
THD	<20%
Operating Temp	-20 to 50°C

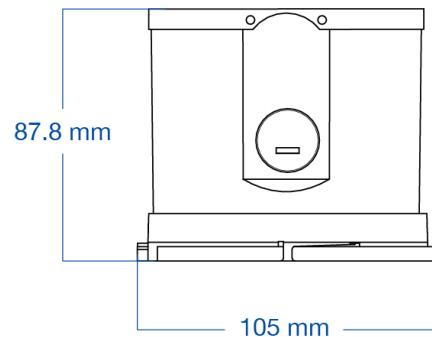
CONSTRUCTION

Housing	Aluminum
Finish	Anodized
Finish Colour	Silver/White
Net Weight	2.2 kgs
Gross Weight	2.8 kgs
Carton Qty	6
Carton Dimensions	34.5 x 23.5 x 12 cm

ACCESSORIES (Ordered Separately)

CDL02-4-R	4-inch round reflector
CDL02-6-R	6-inch round reflector
CDL02-8-R	8-inch round reflector
CDL02-4-R-WW	4-inch round reflector (wall washing)
CDL02-4-S	4-inch square reflector

ENGINE DIMENSIONS



Western Canada Warehouse: 121-1647 Broadway Street, Port Coquitlam, BC V3C 6P8 | ordersbc@csc-led.com