

LHB03 Linear High Bay

220W | 4000K | 120-347V



Ideal for warehouses, factories, workshops, and more
Energy efficient replacement for traditional fluorescent fixtures and HID high bays



120-347V Driver
with 4kV surge protection

0-10V Dimmable

Instant Start
with no flickering
or humming

Newly Designed,
Shatterproof
Polycarbonate Optics
meet/exceed DLC 5.1
glare standards

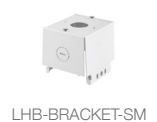
Centre Knockout Allows
for Easy Installation of an
Optional Motion Sensor
(sold separately)

Complete with
10' Cord Whip



Mounting Hooks Included
2 x mounting hooks and 2 x 40" chains

Accessories (Sold Separately): Motion Sensor (MS04-MW-TW-DC), Motion Sensor Remote (HB01R), Wireguard (LHB-220-WG), Bracket (LHB-BRACKET-SM)



TECHNICAL DATA



LIGHT SPECIFICATIONS

Lumens	28,850 lm
Efficacy	135 lm/W
CCT	4000K
CRI	82
Dimmable	0-10V
Beam Angle	90°
L70 Life	>51,000 hrs
Warranty	5-year

APPROVALS AND LISTINGS

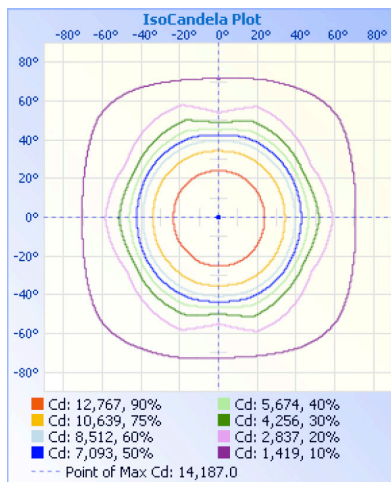
cUL	E482965
DLC Premium	PL3UB9WFGA4V

ILLUMINANCE AT A DISTANCE

	Center Beam fc	Beam Width	
17.0ft	49.1 fc	31.7 ft	31.1 ft
34.0ft	12.3 fc	63.4 ft	62.3 ft
51.0ft	5.45 fc	95.0 ft	93.4 ft
68.0ft	3.07 fc	126.7 ft	124.5 ft
85.0ft	1.96 fc	158.4 ft	155.7 ft
102.0ft	1.36 fc	190.1 ft	186.8 ft

■ Vert. Spread: 86.0°
■ Horiz. Spread: 85.0°

ISOCANDELA



ELECTRICAL

Wattage	220W
Voltage	120-347V
Surge Protection	4kV
Auxiliary Output	12V
Power Factor	0.9
THD	15%
Operating Temp	-25 to 50°C

CONSTRUCTION

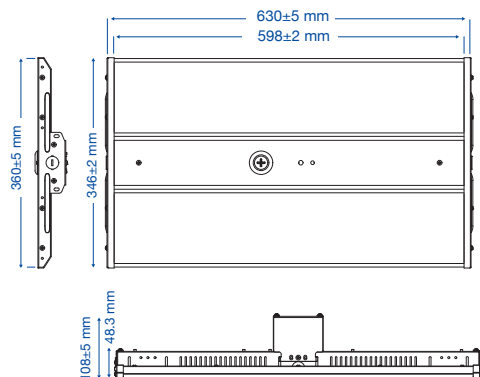
Housing	Steel
Finish	Powder Coat
Finish Colour	White
IP Rating	IP20
Net Weight	8.2 kg
Gross Weight	10 kg
Product Dimensions	630 x 300 x 48 mm
Carton Qty	2
Carton Dimensions	720 x 360 x 185 mm

ACCESSORIES (SOLD SEPARATELY)

MS04-MW-TW-DC	Motion Sensor
HB01R	Remote for Motion Sensor
LHB-220W-WG	Wireguard
LHB-BRACKET-SM	Pendant Mounting Bracket

NOTE: Remote (HB01R) is **required** for motion sensor (HB01DMS-A) to function.

DIMENSIONS



HEAD OFFICE: 8 - 540 Jamieson Pkwy, Cambridge, ON, N3C 0G5 | orders@csc-led.com | (519) 880 - 9833