

# Microwave Motion Sensor - KO Mount

Remote Control Microwave Sensor with Dimming Function

An innovative and active motion detector that can detect motion through plastic, glass and thin non-metal materials



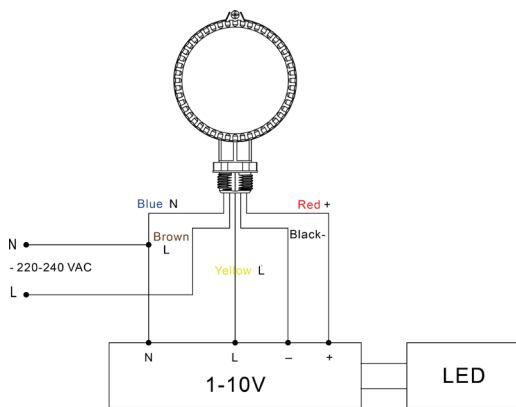
## TECHNICAL DATA



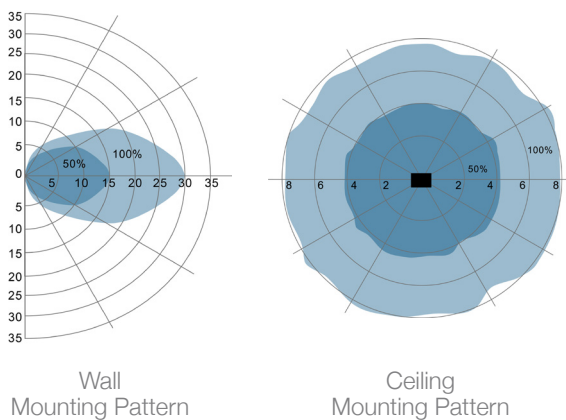
### TECHNICAL PARAMETERS

Voltage	120-277V
Power consumption	< 1W
Transmitting power	< 0.5mW
Detection area	5-8m (mounting height 6m)
Detection sensitivity	25% / 50% / 75% / 100%
Mounting height	6-15 metres
Detection angle	150° (wall installation) 360° (ceiling installation)
Operating temp	-25°C - 55°C
IP rating	IP65

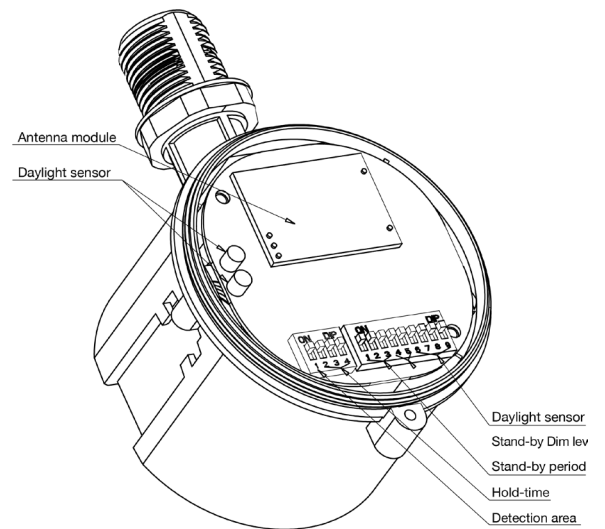
### WIRING SCHEME



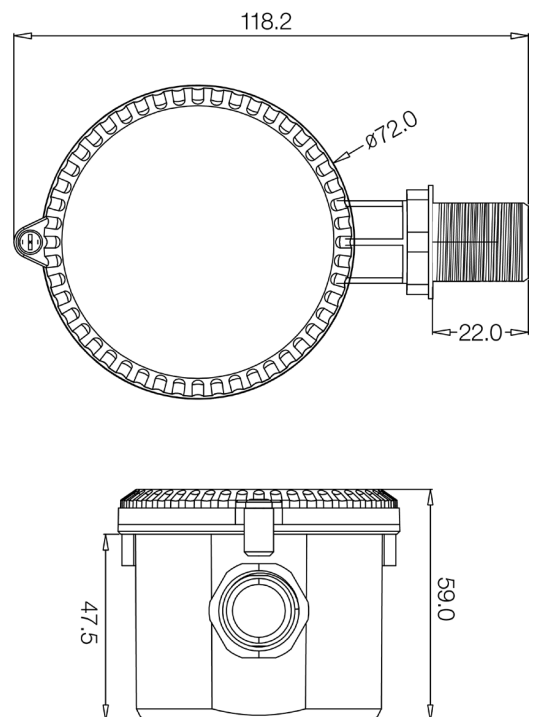
### DETECTION PATTERN



### DIAGRAM



### DIMENSIONS



Western Canada Warehouse: 121-1647 Broadway Street, Port Coquitlam, BC V3C 6P8 | [ordersbc@csc-led.com](mailto:ordersbc@csc-led.com)