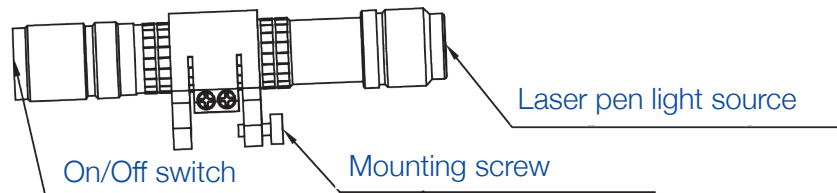


# SP01 Sports Stadium Light Laser Pen

## INSTALLATION INSTRUCTIONS

Use the laser to project the point, simulate the direction of the fixture's light projection, and assist in installation of the lamp.

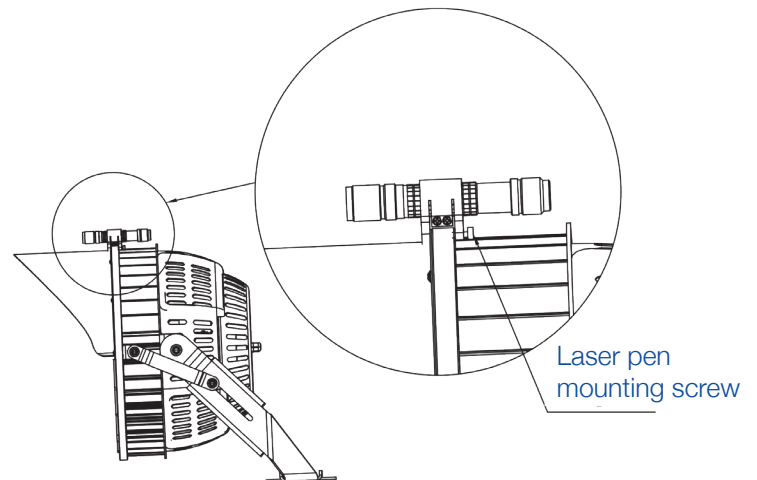
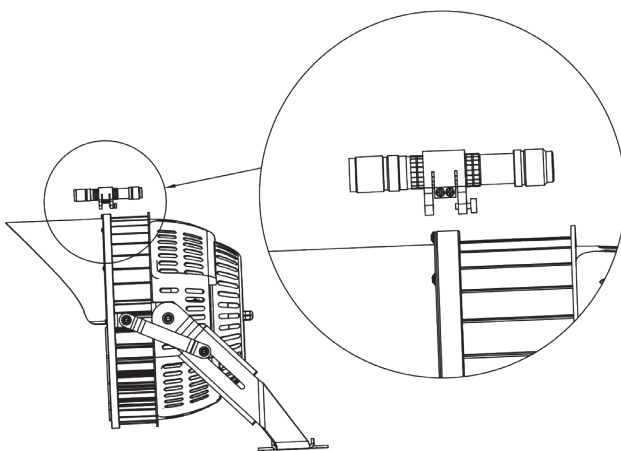
### COMPONENTS:



### INSTALLATION OF LASER PEN:

1. Place laser pen along the edge of the stadium light so the laser points in the same direction as the stadium light

2. Tighten the mounting screws to secure the laser pen to the fixture.



3. Install the lamp according to the SP01 Sports Stadium Lights installation instructions and remove the laser pen from the lamp after installation.