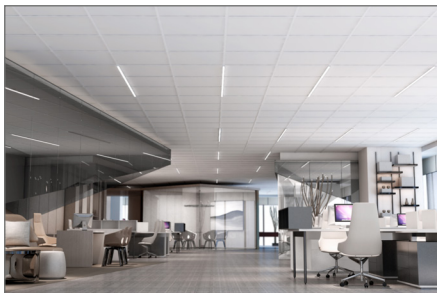


T-Bar Integrated Luminaire

10W | 3500K | 2ft

Ideal for office buildings, medical, health and educational buildings, hotels, airports and more. Create your own custom look.

Replaces Standard T-BAR Cross Tees.



Seamless Integration

into suspended ceilings allows unique and elegant architectural lighting designs

Slim Profile
0.48" thickness

15/16"



Frosted Lens and 6 ft Power Cable with RJ45 Jack

1 power supply (TBAR-PS-30W) required for 3 pieces of T-Bar.
Optional 9/16" Clear Diffuser and Lens Diffuser available (sold separately).



Power Supply
TBAR-PS-30W

TECHNICAL DATA

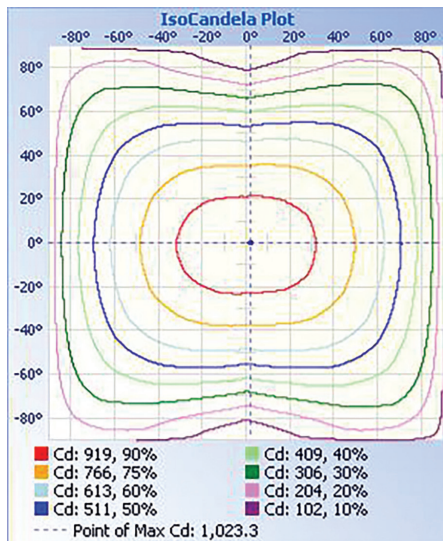
LIGHT SPECIFICATIONS

Lumens	1,300 lm
Efficacy	130 lm/W
CCT	3500K
CRI	80
Beam angle	120°
Dimmable	0-10V
L70 Life	50,000 hrs
Warranty	5-year

APPROVALS AND LISTINGS

cUL	E491106
-----	---------

ISOCANDELA PLOT



ELECTRICAL

Wattage	10W
Voltage	120-277V
Power factor	0.9
THD	9%

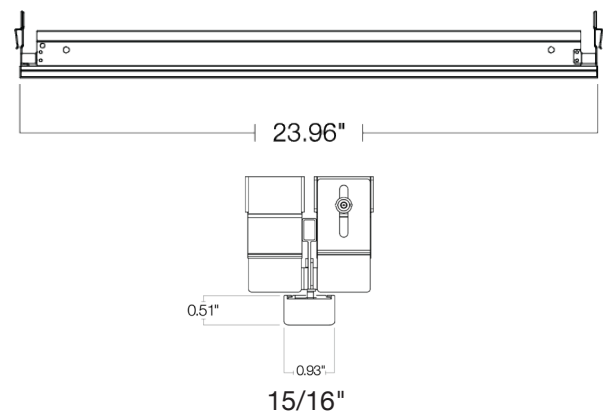
CONSTRUCTION

Housing	Aluminum
Finish	Silver
Unit gross weight	1.25 lbs
Carton weight	11.5 kg
Carton dimensions	64.5 x 54 x 19.5 cm

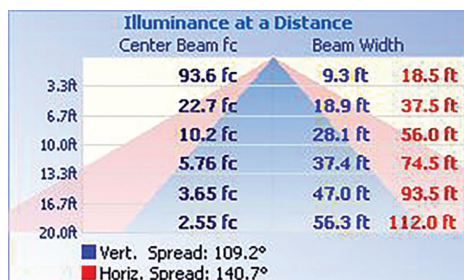
ACCESSORIES (Ordered Separately)

Power Supply	TBAR-PS-30W
--------------	-------------

DIMENSIONS



ILLUMINANCE AT A DISTANCE



Western Canada Warehouse: 121-1647 Broadway Street, Port Coquitlam, BC V3C 6P8 | ordersbc@csc-led.com