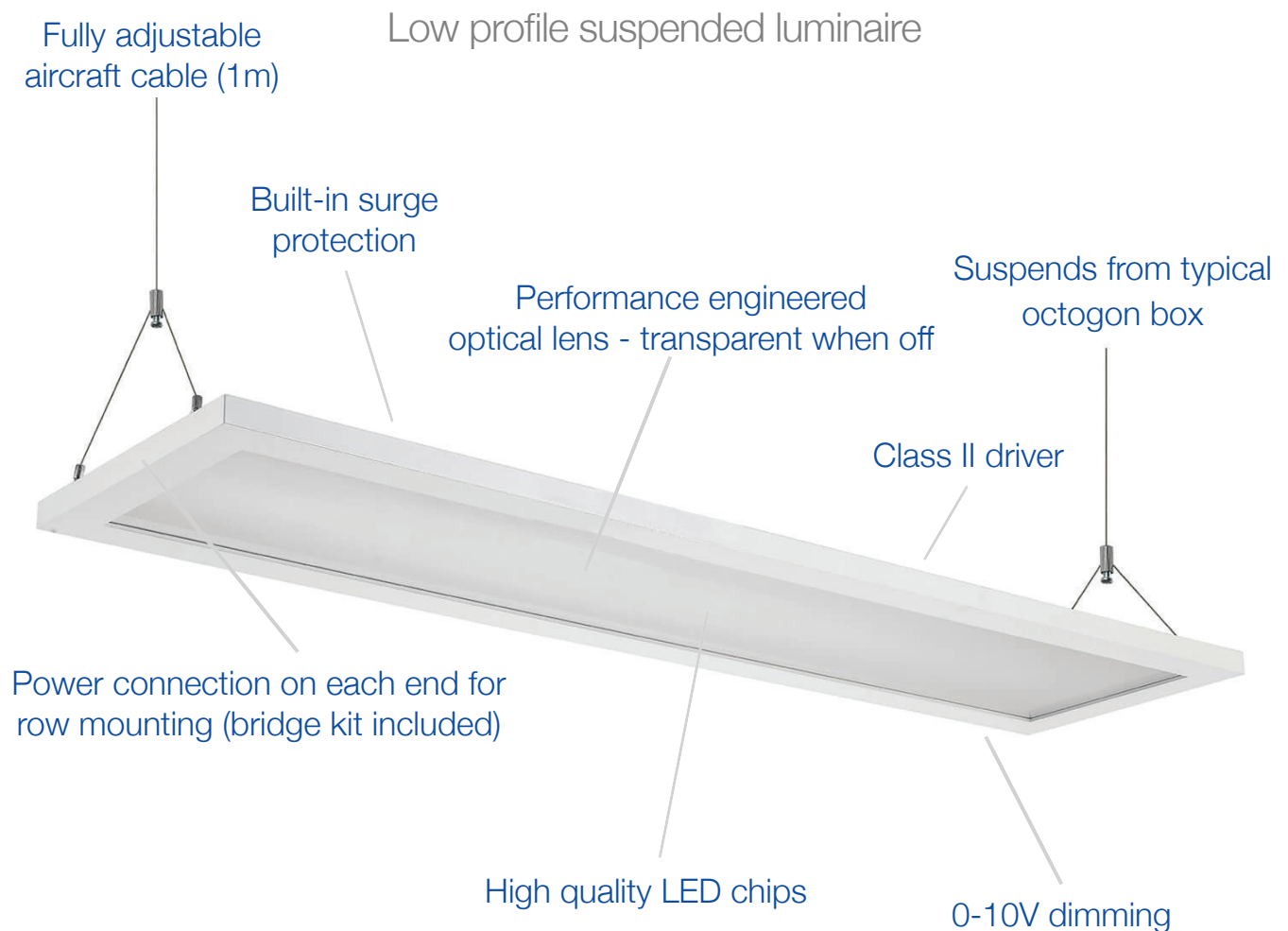


# Direct / Indirect Panel Light

Ideal for offices, conference rooms, retail stores, reception areas, hallways, and education facilities



Unique design - uplight and downlight  
Light distribution - 40% up, 60% down

## TECHNICAL DATA



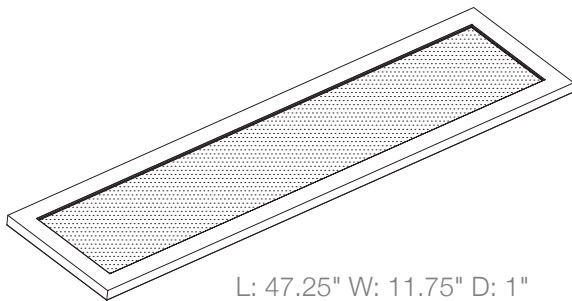
### LIGHT SPECIFICATIONS

|             |          |
|-------------|----------|
| Lumens      | 4,104    |
| Efficacy    | 109 lm/W |
| CCT         | 4000K    |
| CRI         | 81.2     |
| Dimmable    | Yes      |
| Rated hours | 50,000   |
| Warranty    | 5-year   |

### APPROVALS AND LISTINGS

|     |         |
|-----|---------|
| cUL | E482965 |
|-----|---------|

### DIMENSIONS



### ELECTRICAL

|                |              |
|----------------|--------------|
| Wattage        | 40W          |
| Voltage        | 120-277V     |
| Power factor   | 0.92         |
| THD            | 15.41%       |
| Operating temp | -20° to 40°C |

### CONSTRUCTION

|            |           |
|------------|-----------|
| Framing    | Alluminum |
| Colour     | White     |
| IP rating  | IP20      |
| Carton qty | 2         |

### INCLUDED

- Panel
- 1m aircraft cable (x2)
- White canopy octagon cover
- Bridging kit (for row mounting)

\* Power cable not included  
recommend white fixture cable