

PHOTOELECTRIC SWITCH

JL-102 R



Product Summary

The photoelectric switch JL-102R is applicable for controlling outdoor lighting in accordance with the ambient lighting level.

Extended Parts for engineering convenience.

This product complies with the Standard for Non-industrial Photoelectric Switches for Lighting Control UL773A.

Technical Data

Model No.	JL-102AR	JL-102BR
Rated Voltage	120VAC	240VAC
Rated Frequency	50/60Hz	
Rated Loading	150W TUNGSTEN 100VA BALLAST	
Power consumption	1.5W max.	
Operate Level	10~20Lx On 30~60Lx Off	
Ambient Temperature	-40 ~ +70	
Related Humidity	99%RH	
Overall Dimensions	35(L) x 19.5(W) x 20(H)mm	
Leads Length	7" or Customer request (AWG#18)	
Weight Approx.	21grs(7")	

Installation & Operational Instructions

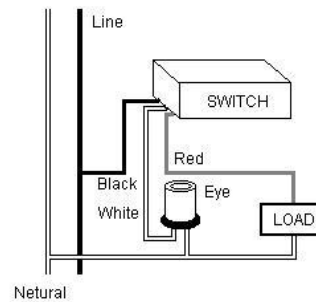
Installation

Disconnect power, remove junction box cover, drill 3/8" hole, insert photo eye and secure with O-ring and nut.

Wire according to the diagram on the right.

Do not install the switch with the Photocell facing artificial or reflected light.

This will cause the unit to cycle on and off at night.



Initial Testing

It is normal for the SWITCH to take several minutes to turn off when first installed.

To test "turn on" during daytime, cover its eye with opaque material.

Test will take approximately 2 minutes.

Ordering Information

JL-102 AR-