

Varistor Product Specification

Datasheet Rev 0

Sheet 1 of 2

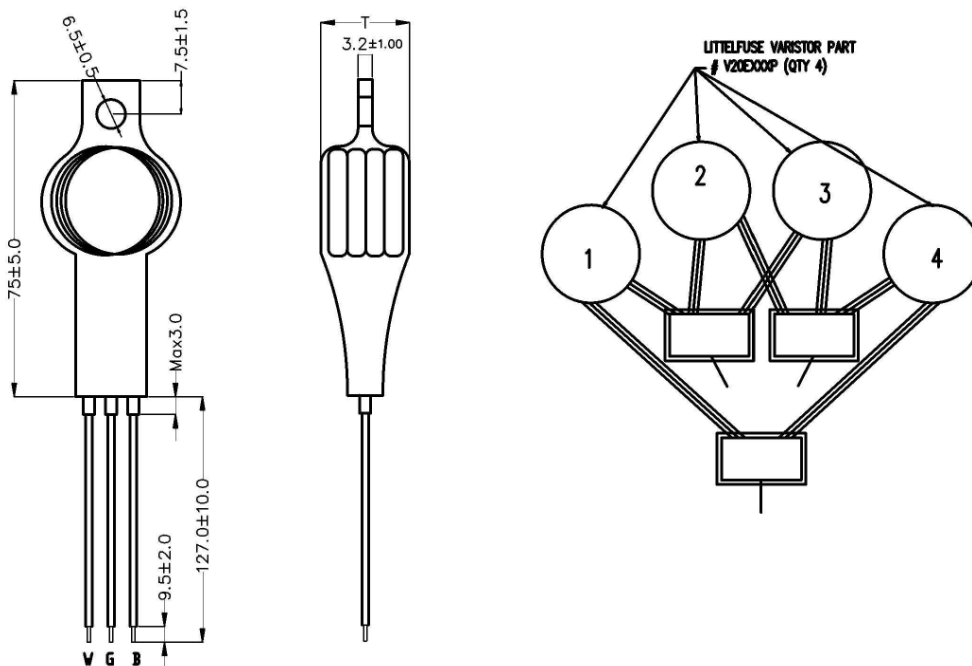
Custom LSP Module

LSP05HST277P1X3516

custom mounting hole and UL marking

Absolute Max Ratings :
 Max Operating Temperature Range -40°C to 85°C

Outline Dimensions



Type	T
LSP05HST277P1	27 max

- Dimensions in millimetres are typical.
- Black: Line; White: Neutral; Green: Ground;
- Wire Gauge: AWG18 wire.



Expertise Applied | Answers Delivered

Varistor Product Specification

Datasheet Rev 0

Sheet 2 of 2

Device Ratings and Specifications

Part Number	Marking	Operating Voltage (Vac)	MCOV (Vac)	Maximum Discharge Current (Imax) I _{TM} 1 x Pulse (A)	Nominal Discharge Current (In) (A)	MODES	Varistor Voltage at 1mA	
							Vnom (DC) Min	Vnom (DC) Max
LSP05HST277P1X3516	HST277P1	277	320	10000	5000	L-N, L-G, N-G	459	561